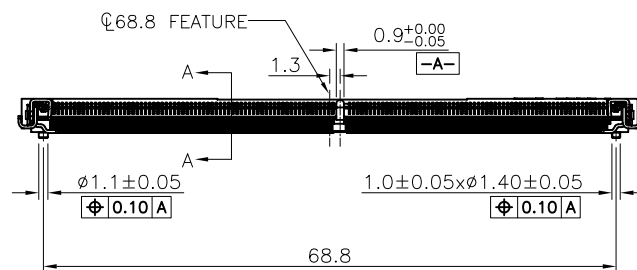


SECTION A-A
SCALE 2 : 1

NOTE :
DATE CODE : YYWWDLX

1. YY : YEAR (21 : 2021)
2. WW : WEEK (25 : The 25th Week)
3. D : DAY (1~7 Sunday~Saturday)
4. L : Line Number of Assembly (A : Line A)
5. X : Manufaiure Code



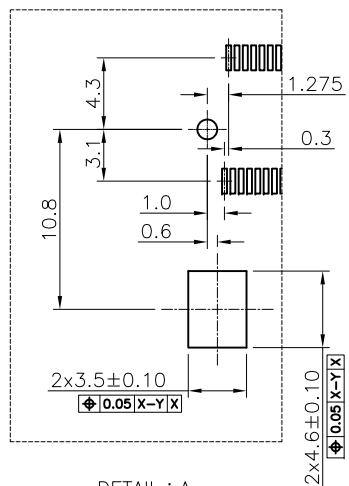
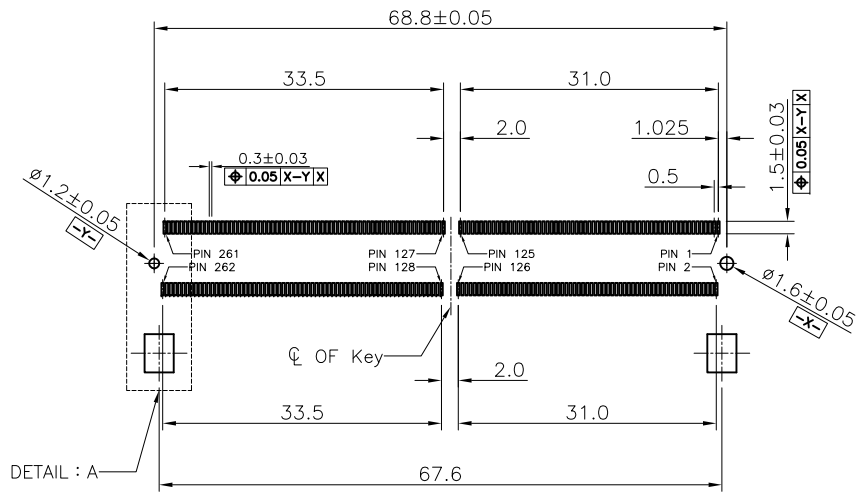
4	LATCH	Stainless Steel
3	SOLDER PEG	Stainless Steel, Tin Plating Entire Over
2	TERMINAL	Phosphor Bronze, Gold Flash on Contact Area Gold Flash on Solder tail
1	HOUSING	LCP, UL94V-0, Black
NO.	PART NAME	DESCRIPTION
DIMENSIONS : mm		TOLERANCES UNLESS OTHERWISE SPECIFIED :
		X. ± 0.30 X.X ± 0.20 X.XX ± 0.10 ANGLES ± 3°
SCALE	DWN	20220108
1 : 1	JACK WU	
SHEET	CHK	20220108
1/4	PETER WANG	
SIZE	APVD	20220108
A4	SIMON LI	
CUSTOMER DRAWING		PRODUCT No. CX4-DR540A-171
		DRAWING No. CE-SOD27

Chunxin Technology

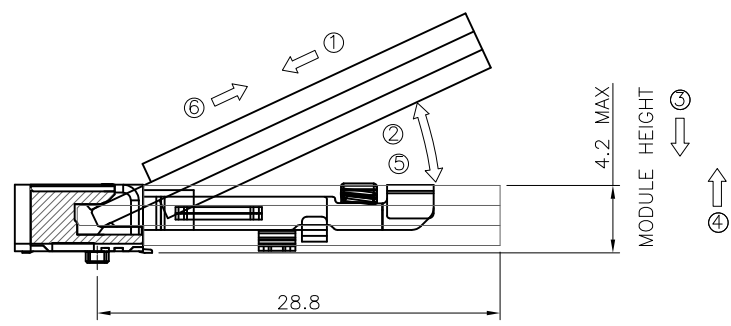
NAME

SO-DIMM DDR5, Horizontal, Standard Type,
0.5mm Pitch, 262Pin, 4.0H

1	INITIAL RELEASE	JACK WU	2022/01/08
2	NEW FORM	Ron Lo	2022/03/22
3			



DETAIL : A
SCALE 2 : 1

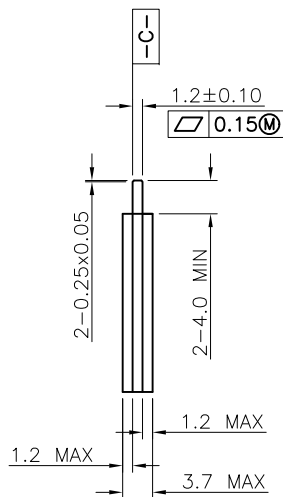
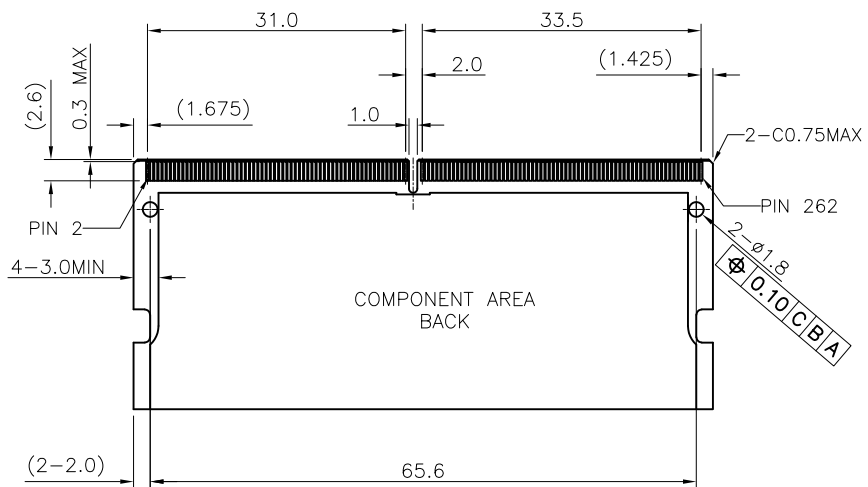
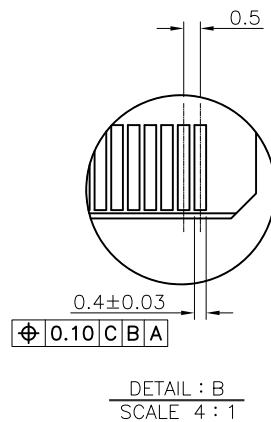
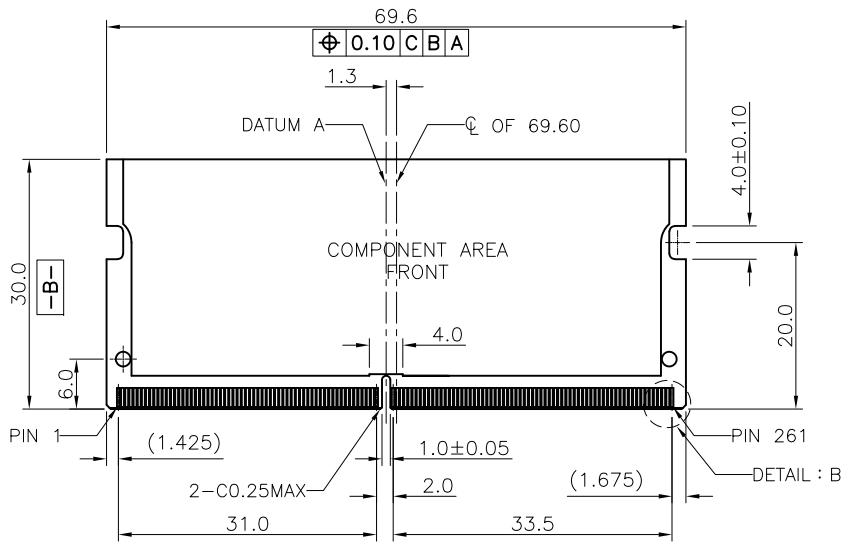


MATING/UNMATING VIEW
SCALE 2 : 1

MATING : ① INSERTING(25°) → ② ROTATING → ③ FIXED
UNMATING : ④ UNFIXED → ⑤ ROTATING → ⑥ WITHDRAWING

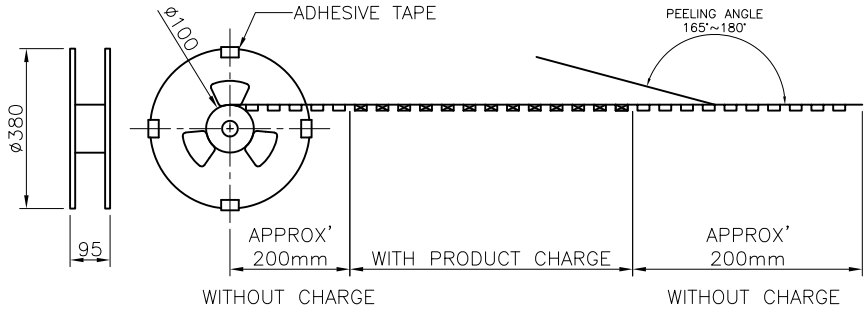
DIMENSIONS : mm		TOLERANCES UNLESS OTHERWISE SPECIFIED :		Chunxin Technology	
		X	± 0.30		
		X,X	± 0.20	SO-DIMM DDR5, Horizontal, Standard Type, 0.5mm Pitch, 262Pin, 4.0H	
		X,XX	± 0.10		
		ANGLES	± 3°	DRAWING No. CE-SOD27	
SCALE	1 : 1	DWN	JACK WU		
SHEET	2/4	CHK	PETER WANG	20220108	
SIZE	A4	APVD	SIMON LI	20220108	
CUSTOMER DRAWING					

1	INITIAL RELEASE	JACK WU	2022/01/08
2	NEW FORM	Ron Lo	2022/03/22
3			

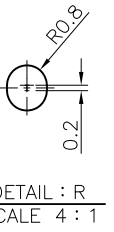
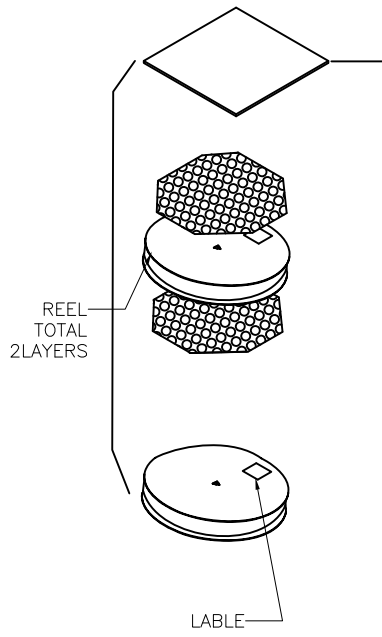
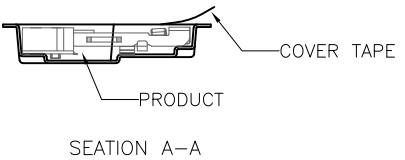
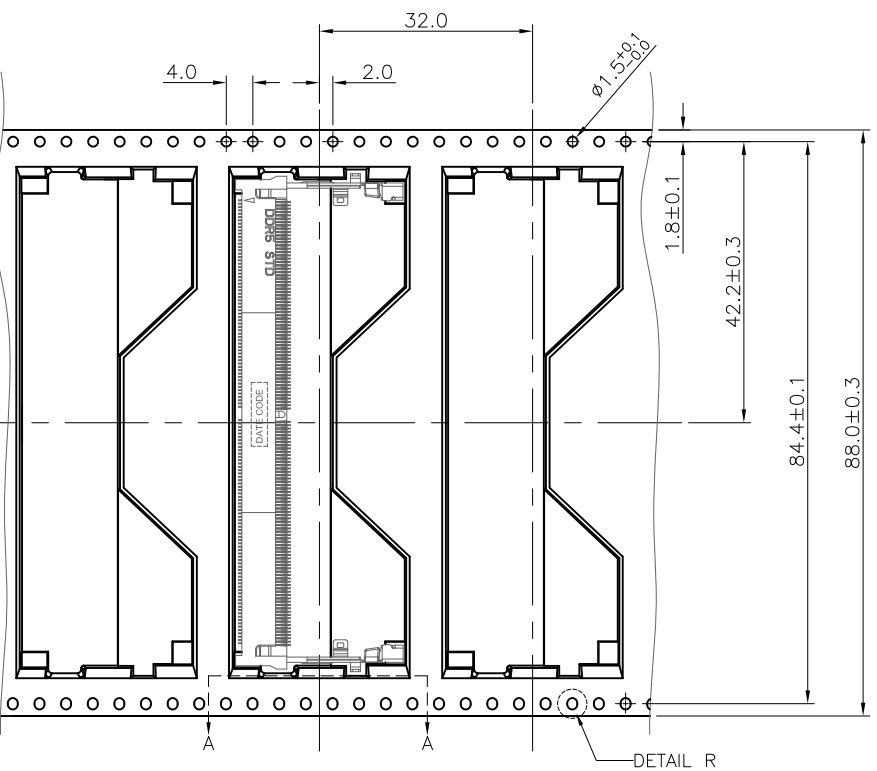


DIMENSIONS : mm		TOLERANCES UNLESS OTHERWISE SPECIFIED :		Chunxin Technology	
		X	± 0.30		
SCALE		DWN	20220108	SO-DIMM DDR5, Horizontal, Standard Type, 0.5mm Pitch, 262Pin, 4.0H	
SHEET		CHK	20220108	PRODUCT No.	
SIZE		APVD	20220108	CX4-DR540A-171	
CUSTOMER DRAWING		SIMON LI		DRAWING No.	
				CE-SOD27	

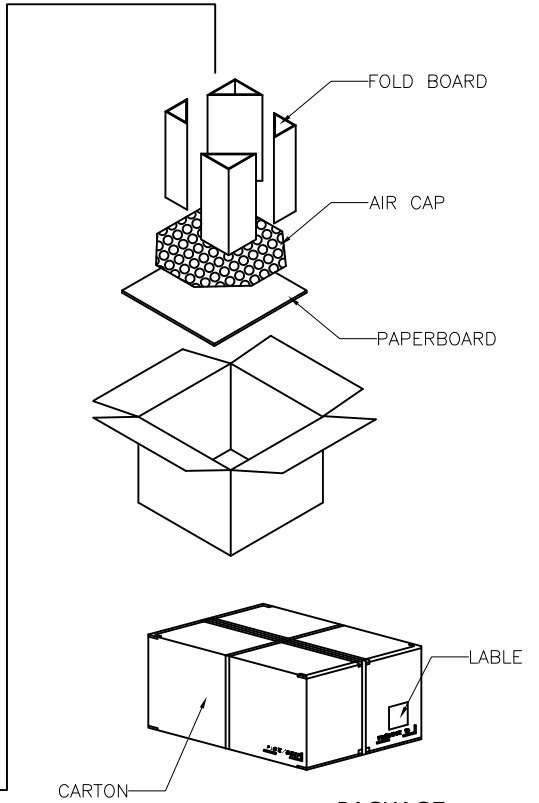
1	INITIAL RELEASE	JACK WU	2022/01/08
2	NEW FORM	Ron Lo	2022/03/22
3			



PULL OUT DIRECTION →



DETAIL : R
SCALE 4 : 1



- PACKAGE :
- 500 PCS / Reel
 - 2 Reel / Carton
 - 1000 PCS / Carton

DIMENSIONS : mm		TOLERANCES UNLESS OTHERWISE SPECIFIED :		Chunxin Technology	
		X	± 0.30		
		X.X	± 0.20	SO-DIMM DDR5, Horizontal, Standard Type, 0.5mm Pitch, 262Pin, 4.0H	
		X.XX	± 0.10		
		ANGLES	± 3°	DRAWING No. CE-SOD27	
SCALE	1 : 1	DWN	JACK WU		
SHEET	4/4	CHK	PETER WANG	20220108	
SIZE	A4	APVD	SIMON LI	20220108	
CUSTOMER DRAWING					