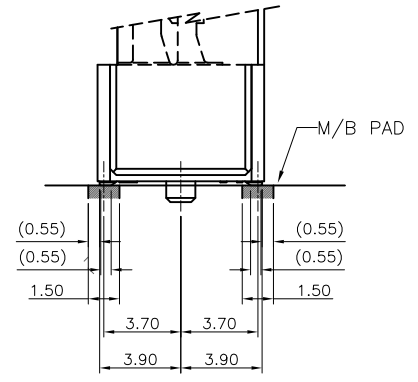
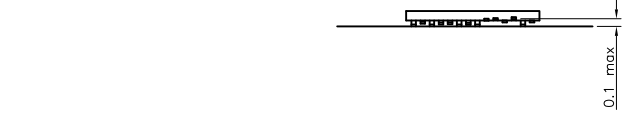
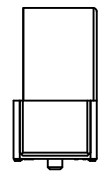
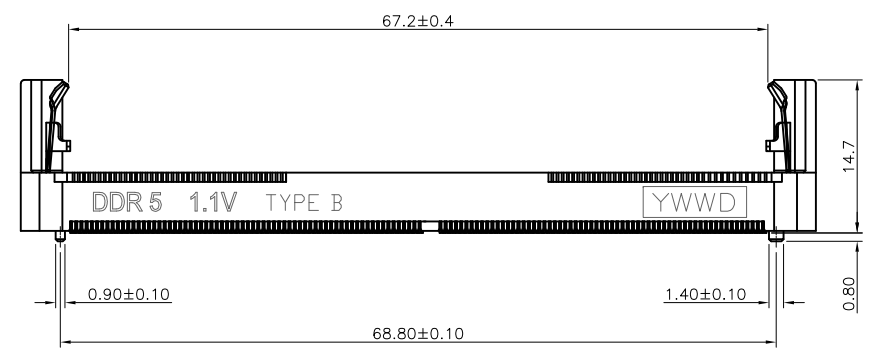
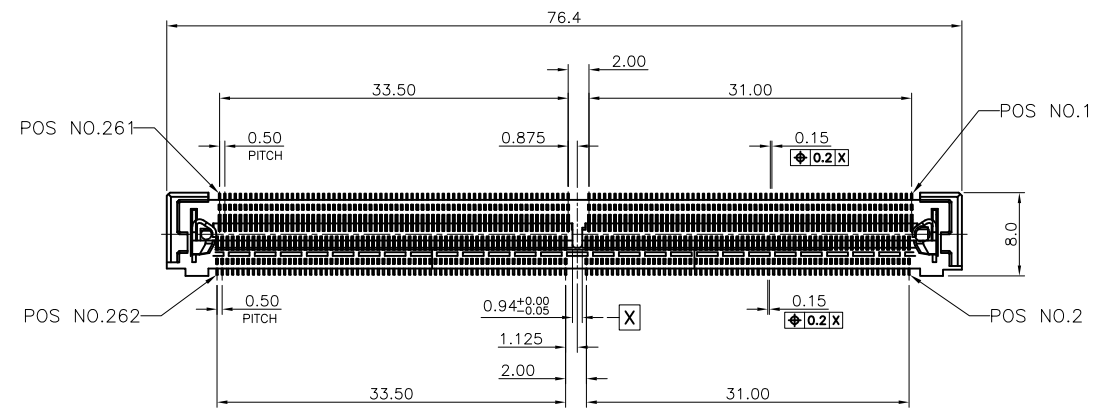


1	INITIAL RELEASE	JACK WU	2022/04/05
2			
3			

SPECIFICATION:

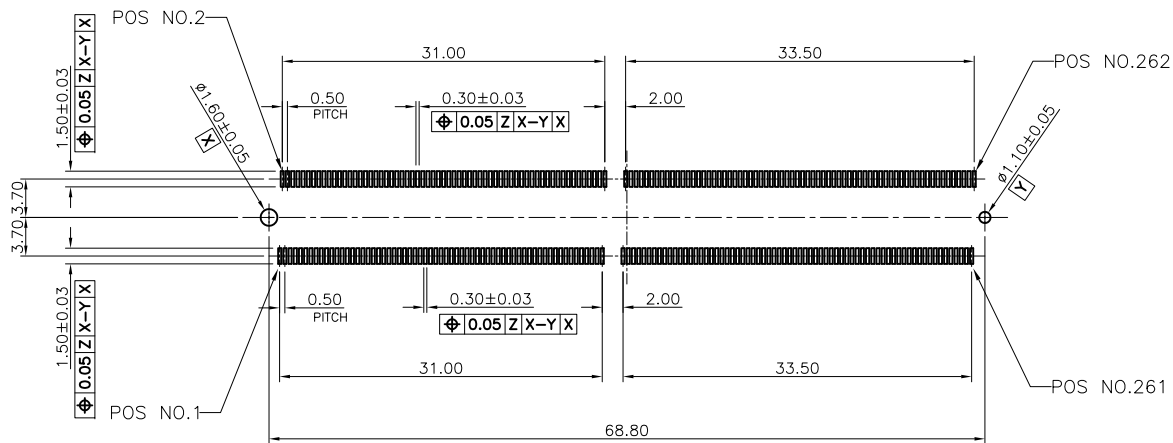
1. Current Rating: 0.5A
2. Voltage Rating: 25V AC
3. Contact Resistance: 55mΩ max.
4. Insulation Resistance: 500MΩ Min.
5. Dielectric Withstanding Voltage : 300VAC
6. Durability : 25 Cycle
7. Operating Temperature Range : -55°C~+85°C
8. Must Be Measured Floating Amount of Contact Tails From Datam Surface is 0.1mm Max.



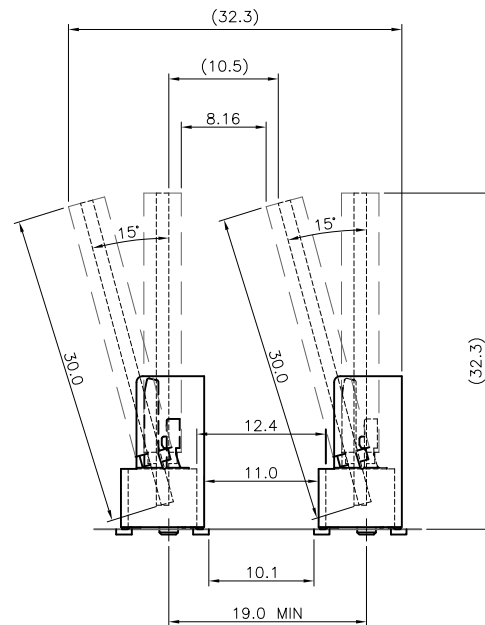
SOLDERING DIM
SCALE 2 : 1

3.	SOLDER PEG	SUS
2.	TERMINAL	PHOSPHOR BRONZE, GOLD PLATED OVER NICKEL
1.	HOUSING	LCP, UL94V-0, BLACK
NO.	PART NAME	DESCRIPTION
DIMENSIONS : mm		TOLERANCES UNLESS OTHERWISE SPECIFIED :
		X, ± 0.30 X.X ± 0.20 X.XX ± 0.10 ANGLES ± 3°
SCALE	DWN	20220405
SHEET	CHK	20220405
SIZE	APVD	20220405
CUSTOMER DRAWING	SIMON LI	
NAME		Chunxin Technology
SCALE		1 : 1
SHEET		1/4
SIZE		A4
PRODUCT No.		CX4-DR5V0B-11
DRAWING No.		CE-SOD33
DESCRIPTION		SO-DIMM DDR5, Vertical, Reverse Type, 0.5mm Pitch, 262Pin, 1.1V

1	INITIAL RELEASE	JACK WU	2022/04/05
2			
3			



RECOMMEND P.C.BOARD LAYOUT
TOLERANCES : ±0.03

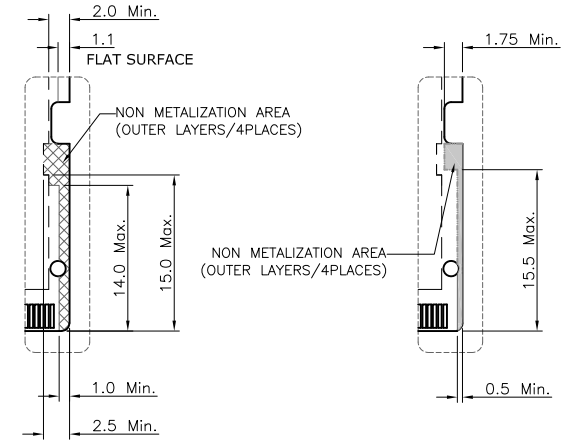
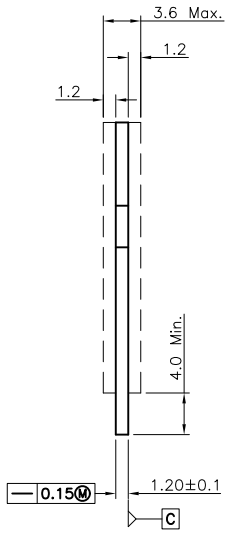
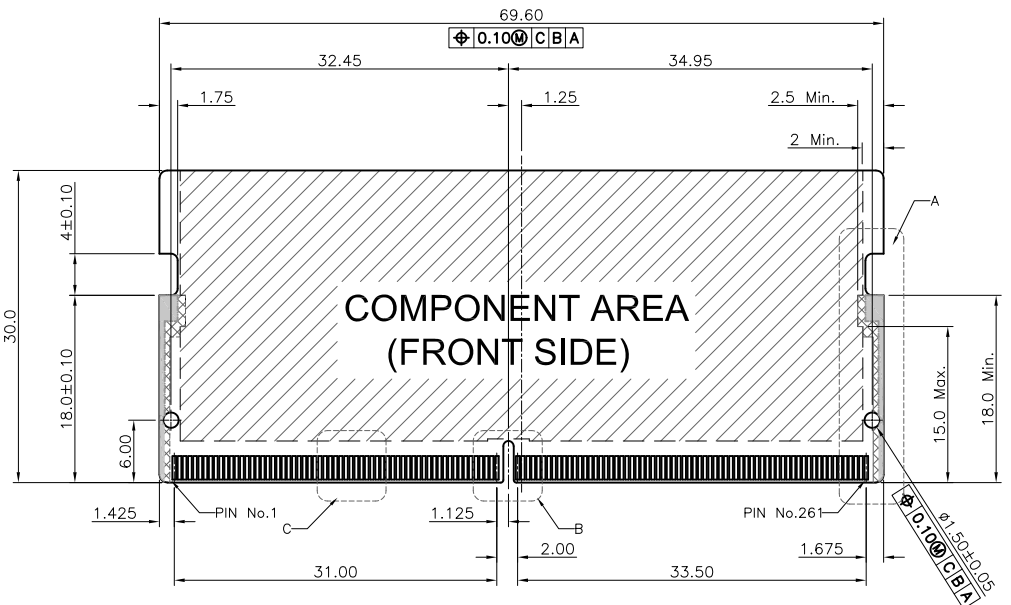


DR5V0B+DR5V0B
RECOMMENDED SOCKET LAYOUT DIMENSIONS

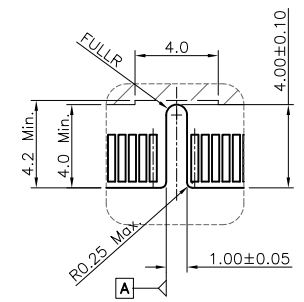
NOTES:

1. TOLERANCES ON ALL DIMENSION ±0.15 UNLESS OTHERWISE SPECIFIED.

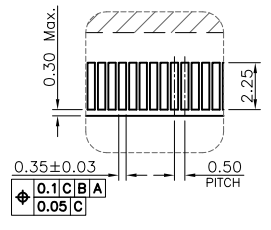
DIMENSIONS : mm		TOLERANCES UNLESS OTHERWISE SPECIFIED :		Chunxin Technology	
		X	± 0.30		
SCALE		DWN	20220405	SO-DIMM DDR5, Vertical, Reverse Type, 0.5mm Pitch, 262Pin, 1.1V	
1 : 1	JACK WU	CHK	20220405		
SHEET	2/4	PETER WANG		PRODUCT No.	
SIZE	A4	APVD	20220405	CX4-DR5V0B-11	
CUSTOMER DRAWING			DRAWING No.		
			CE-SOD33		



DETAIL A



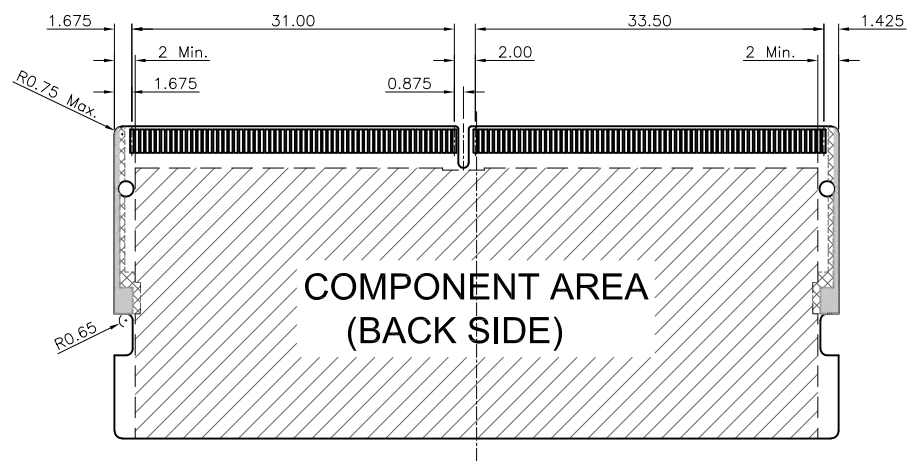
DETAIL B
SCALE 2 : 1



DETAIL C
SCALE 2 : 1

NOTES:

1. TOLERANCES ON ALL DIMENSION ± 0.15 UNLESS OTHERWISE SPECIFIED.

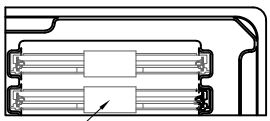
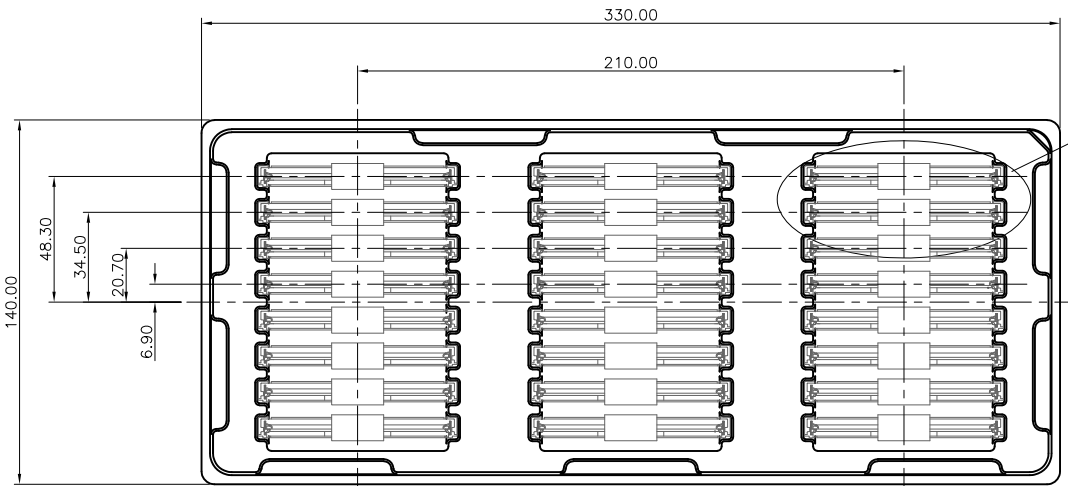


DIMENSIONS : mm		TOLERANCES UNLESS OTHERWISE SPECIFIED :		Chunxin Technology	
		X	± 0.30		
SCALE		DWN	± 0.20	SO-DIMM DDR5, Vertical, Reverse Type, 0.5mm Pitch, 262Pin, 1.1V	
SHEET		CHK	± 0.10	PRODUCT No.	
SIZE		APVD	ANGLES	CX4-DR5V0B-11	
CUSTOMER DRAWING		DRAWING No.		CE-SOD33	

20220405	JACK WU	20220405
20220405	PETER WANG	20220405
20220405	SIMON LI	20220405

1	INITIAL RELEASE	JACK WU	2022/04/05
2			
3			

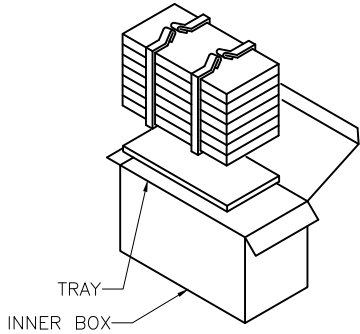
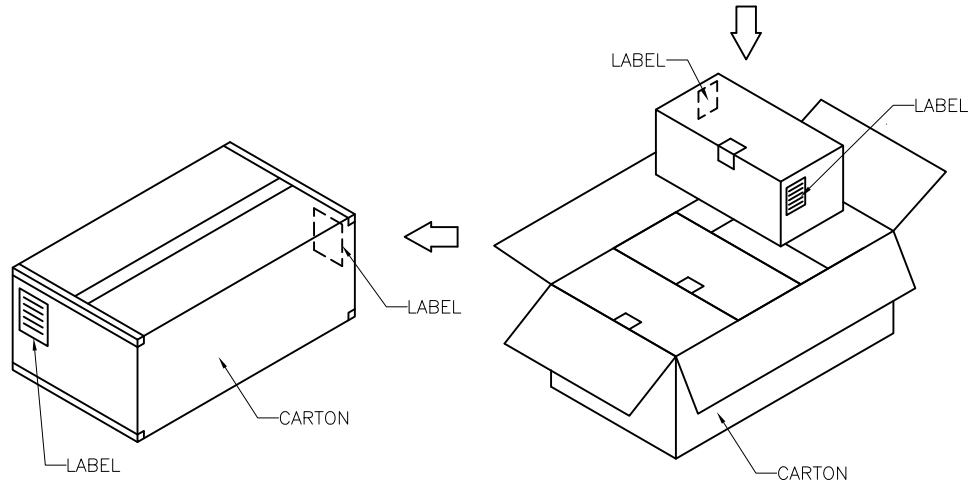
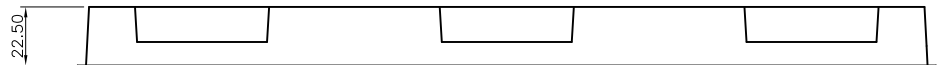
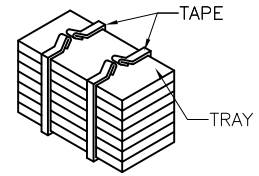
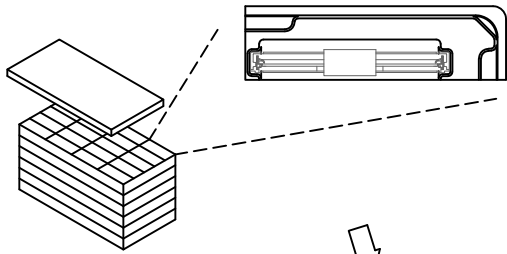
1	INITIAL RELEASE	JACK WU	2022/04/05
2			
3			



TAPE SIZE : 10x20mm

NOTE:

1. 24PCS /Tray
2. 144PCS /Inner Box
3. 432PCS /Carton



DIMENSIONS : mm		TOLERANCES UNLESS OTHERWISE SPECIFIED :		Chunxin Technology	
		X	± 0.30		
SCALE		X,X	± 0.20	SO-DIMM DDR5, Vertical, Reverse Type, 0.5mm Pitch, 262Pin, 1.1V	
1 : 1		X,XX	± 0.10	PRODUCT No.	
SHEET		ANGLES	± 3°	CX4-DR5V0B-11	
3/4				DRAWING No.	
SIZE				CE-SOD33	
A4					
CUSTOMER DRAWING					