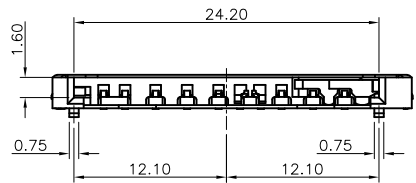
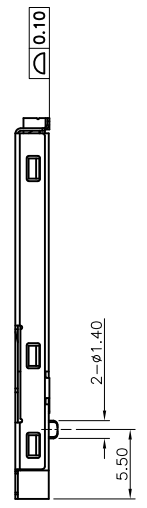
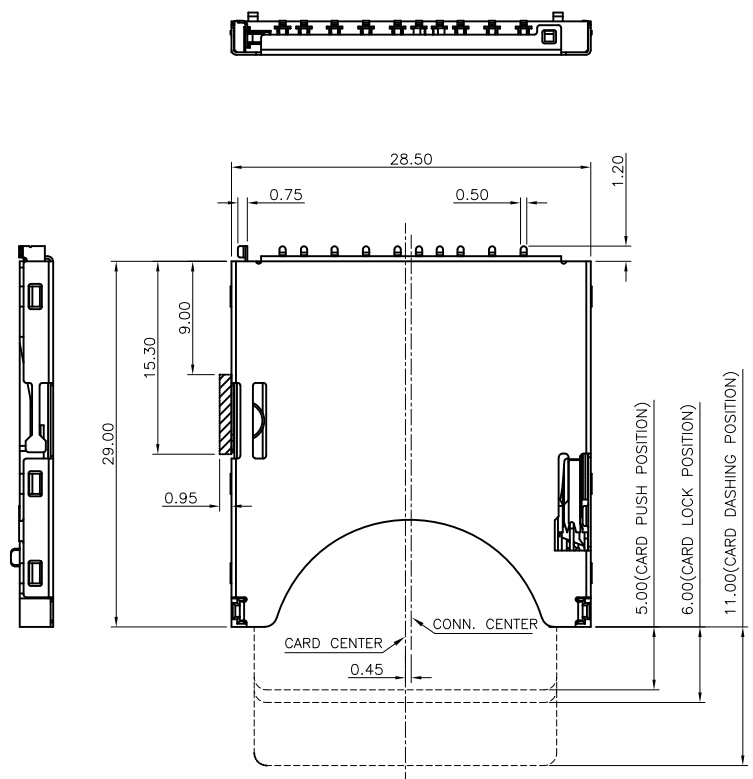
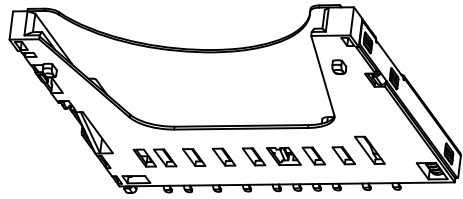
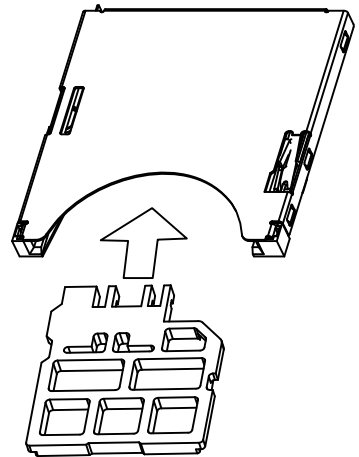


1	INITIAL RELEASE	JACK WU	2011/12/09
2	NEW FORM	JACK WU	2020/04/14
3			

**SPECIFICATION:**

1. Current Rating: 0.5A
2. Insulator Resistance: 1000M  $\Omega$  Min.
3. Withstanding Voltage: 500V AC
4. Contact Resistance : 100m ohms Max.
5. Durability: 10,000 Cycles Min.
6. Operating Temperature : -35°C ~ +85°C

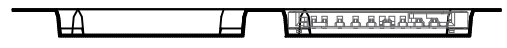
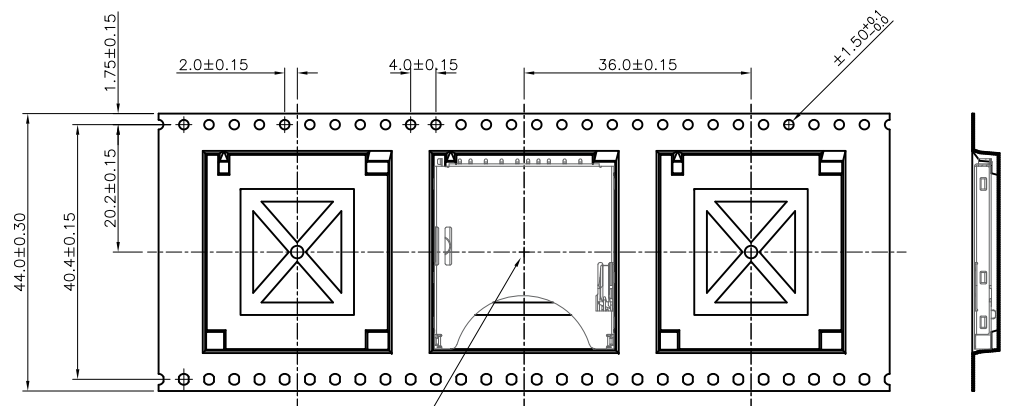
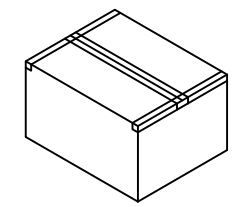
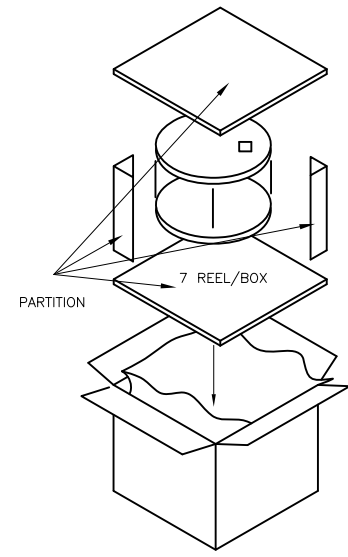
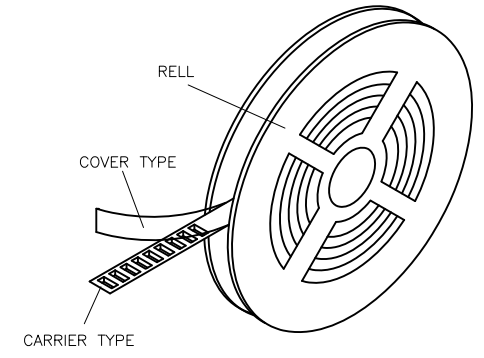
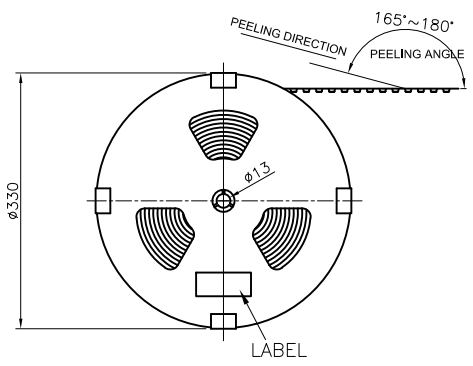
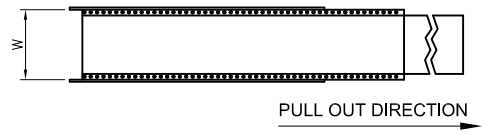
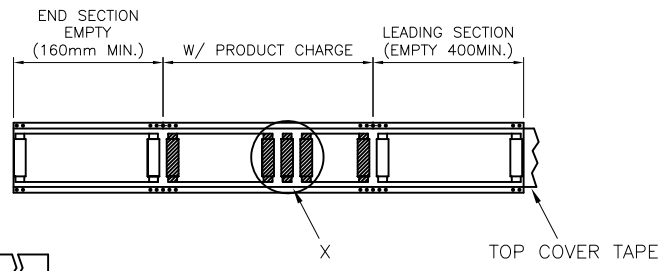


9.	SIMULATION CARD	Synthetic Resin, Black
8.	PROTECT CONTACT	Copper Alloy, 5u" Gold Plating on Contact Area
7.	DETECT CONTACT	Copper Alloy, 5u" Gold Plating on Contact Area
6.	SPRING	SWP
5.	CAM PIN	Stainless
4.	SLIDER CAM	Synthetic Resin, Black
3.	CONTACT-SD	Copper Alloy, 5u" Gold Plating on Contact Area
2.	SHELL	Stainless
1.	HOUSING	Synthetic Resin, Black

NO.	PART NAME	DESCRIPTION
DIMENSIONS : mm TOLERANCES UNLESS OTHERWISE SPECIFIED : X. ± 0.30 X.X ± 0.20 X.XX ± 0.10 ANGLES ± 3°		
SCALE 1 : 1 SHEET 1/3 SIZE A4 CUSTOMER DRAWING		<b>Chunxin Technology</b> NAME SD Socket Push Push Type PRODUCT No. CX1-SD202-21 DRAWING No. CS-SD002



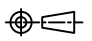
1	INITIAL RELEASE	JACK WU	2011/12/09
2	NEW FORM	JACK WU	2020/04/14
3			



**DETAIL X**

**NOTES:**

1. BOX : 350mm x 350mm x 350mm
2. PACKING : 300 PCS/Reel ; 7 Reel/Box

NO.	PART NAME	DESCRIPTION
DIMENSIONS : mm		<b>Chunxin Technology</b> NAME SD Socket Push Push Type
 TOLERANCES UNLESS OTHERWISE SPECIFIED : X. ± 0.30 X.X ± 0.20 X.XX ± 0.10 ANGLES ± 3°		
SCALE	DWN JACK WU 20111209	PRODUCT No. CX1-SD202-21 DRAWING No. CS-SD002
SHEET	3/3 CHK PETER WANG 20111209	
SIZE	A4 APVD SIMON LI 20111209	
CUSTOMER DRAWING		