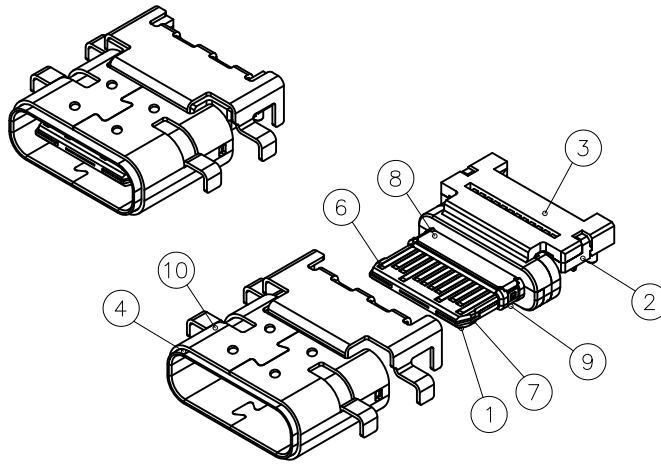


**PCB LAYOUT (RECOMMENDED)**  
(Tol: ±0.05)



**SPECIFICATION:**

1. Current Rating: 1.5A
2. Insulator Resistance: 100M ohms Min.
3. Withstanding Voltage: 100 VAC / Minute
4. Contact Resistance : 40m ohms Max.
5. Mating Force : 5~20N Max.
6. Unmating Force : 8~20N Min.
7. Durability: 10,000 Cycles Min.

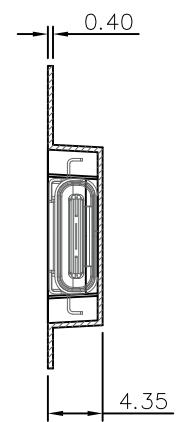
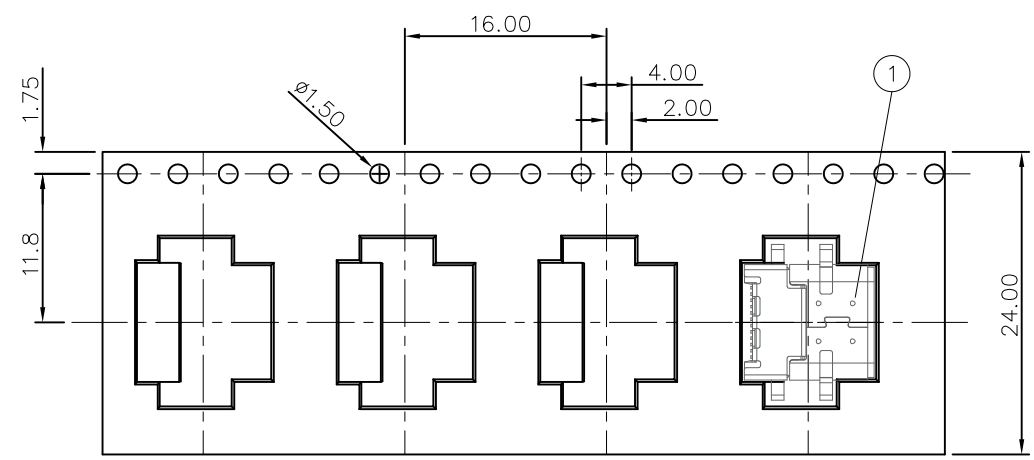
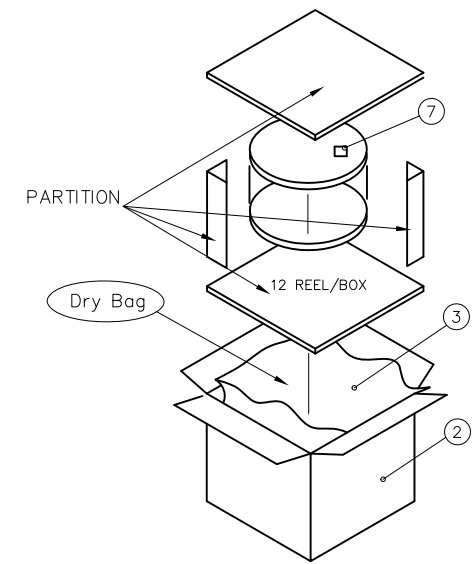
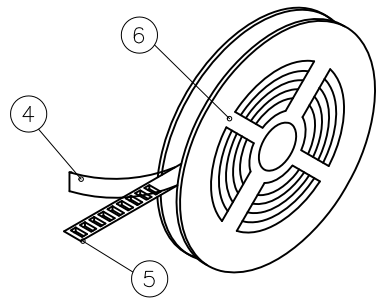
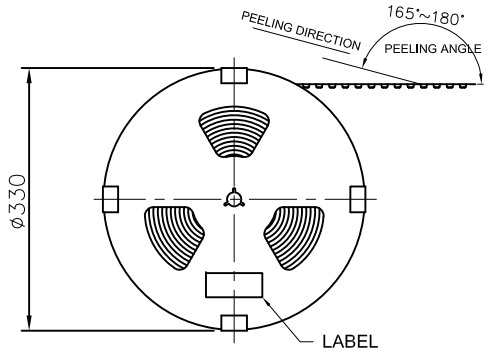
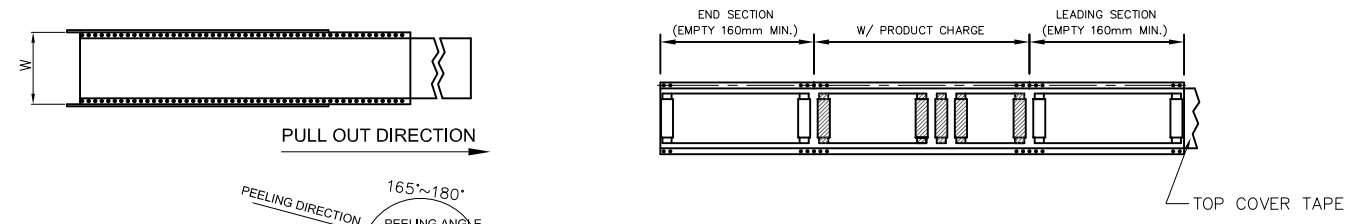
	Signal Name		Signal Name
A1	GND	B12	GND
A2	SSTXp1	B11	SSRXp1
A3	SSTXn1	B10	SSRXn1
A4	VBUS	B9	VBUS
A5	CC1	B8	SBU2
A6	Dp1	B7	Dn2
A7	Dn1	B6	Dp2
A8	SBU1	B5	CC2
A9	VBUS	B4	VBUS
A10	SSRXn2	B3	SSTXn2
A11	SSRXp2	B2	SSTXp2
A12	GND	B1	GND

10.	SHELL-2	STAINLESS, Ni 50u"
9.	GND Plate-bottom	STAINLESS, Ni 50u"
8.	Shield SHELL	STAINLESS, Ni 50u"
7.	Shield SHELL	STAINLESS, Tin 80u"
6.	12Pin CONTACT-SMT	COPPER ALLOY, Contact Area : 30u" Gold Plated
5.	12Pin CONTACT-DIP	COPPER ALLOY, Contact Area : 30u" Gold Plated
4.	SHELL-1	STAINLESS, Ni 50u"
3.	INSERT MOLDING-2 12PIN	SYNTHETIC RESIN, BLACK
2.	INSERT MOLDING-1 12PIN	SYNTHETIC RESIN, BLACK
1.	MOLDING HOUSING	SYNTHETIC RESIN, BLACK

NO.	PART NAME	DESCRIPTION
DIMENSIONS : mm TOLERANCES UNLESS OTHERWISE SPECIFIED : X. ± 0.30 X.X ± 0.20 X.XX ± 0.10 ANGLES ± 3°		
		<b>Chunxin Technology</b> NAME
SCALE	DWN 20150814	
SHEET	1 : 1 JACK WU 20150814	USB C Type, Receptacle, R/A Middle Mount, Hybrid Pin 0.5mm Pitch 24Pin
SIZE	1/2 CHK PETER WANG 20150814	
CUSTOMER DRAWING		PRODUCT No. CX3-UCF2404-22
		DRAWING No. HI-UC008

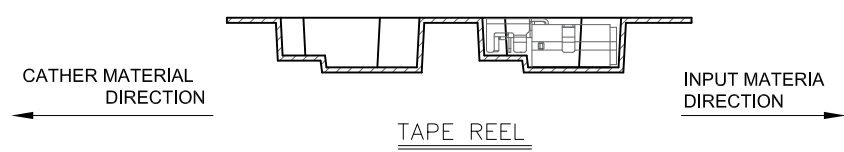
	8	9	10
1	INITIAL RELEASE	JACK WU	2015/08/14
2	NEW FORM	JACK WU	2020/05/22
3			

1	INITIAL RELEASE	JACK WU	2015/08/14
2	NEW FORM	JACK WU	2020/05/22
3			



NOTE:

- 1000PCS / Reel ; 12Reels/Carton
- 12,000 / Carton
- Carton : L x W x H :  
355mm x 355mm x 355mm



NO.	PART NAME	DESCRIPTION
DIMENSIONS : mm		<b>Chunxin Technology</b> NAME:
TOLERANCES UNLESS OTHERWISE SPECIFIED : X.                   ± 0.30 X.X                 ± 0.20 X.XX               ± 0.10 ANGLES           ± 3°		
SCALE	DWN           20150814	USB C Type, Receptacle, R/A Middle Mount, Hybrid Pin 0.5mm Pitch 24Pin
1 : 1	JACK WU   20150814	
SHEET	CHK           20150814	PRODUCT No.           CX3-UCF2404-22
2/2	PETER WANG	
SIZE	APVD         20150814	DRAWING No.           HI-UC008
A4	SIMON LI	
CUSTOMER DRAWING		