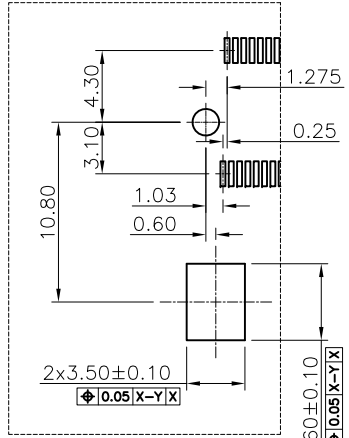
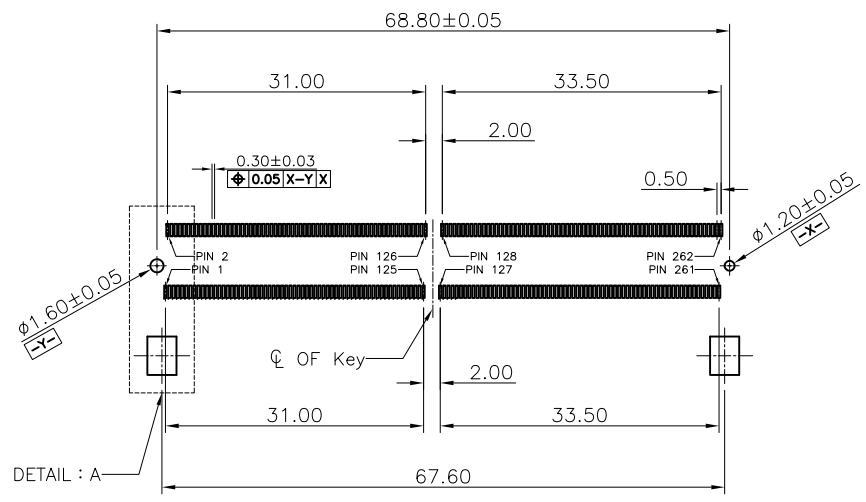


NOTE :
DATE CODE : YYWWDLX

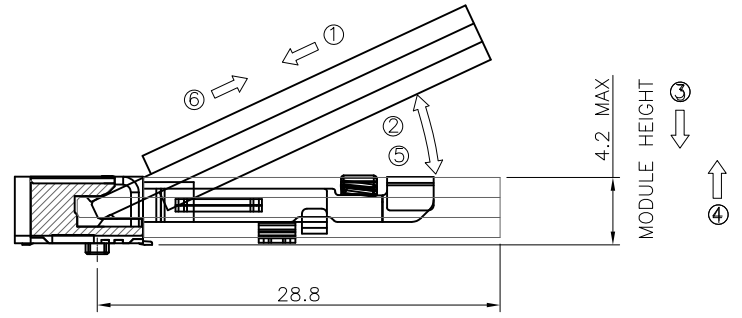
- YY : YEAR (21 : 2021)
- WW : WEEK (25 : The 25th Week)
- D : DAY (1~7 Sunday~Saturday)
- L : Line Number of Assembly (A : Line A)
- X : Manufaire Code

4	LATCH	Stainless Steel
3	SOLDER PEG	Stainless Steel, Tin Plating Entire Over
2	TERMINAL	Phosphor Bronze, Gold Flash on Contact Area Gold Flash on Solder tail
1	HOUSING	LCP, UL94V-0, Black
NO.	PART NAME	DESCRIPTION
DIMENSIONS : mm		Chunxin Technology NAME
TOLERANCES UNLESS OTHERWISE SPECIFIED : X. ± 0.30 X.X ± 0.20 X.XX ± 0.10 ANGLES ± 3°		
SCALE	DWN JACK WU 20220108	SO-DIMM DDR5, Horizontal, Reverse Type, 0.5mm Pitch, 262Pin, 4.0H
SHEET	CHK PETER WANG 20220108	
SIZE	APVD SIMON LI 20220108	PRODUCT No. CX4-DR540B-171
CUSTOMER DRAWING		DRAWING No. CE-SOD28

1	INITIAL RELEASE	JACK WU	2022/01/08
2	NEW FORM	Ron Lo	2022/03/22
3			



DETAIL: A
SCALE 2:1

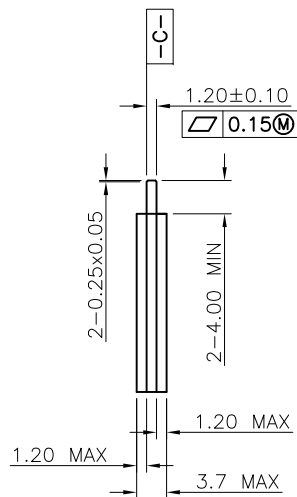
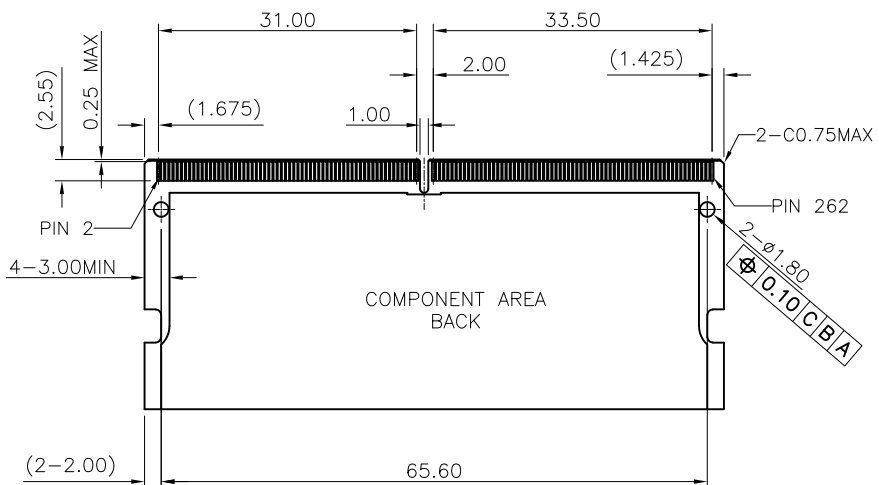
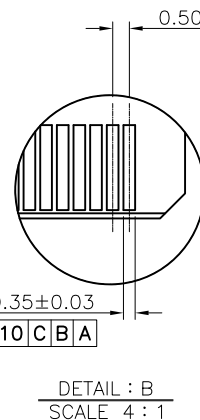
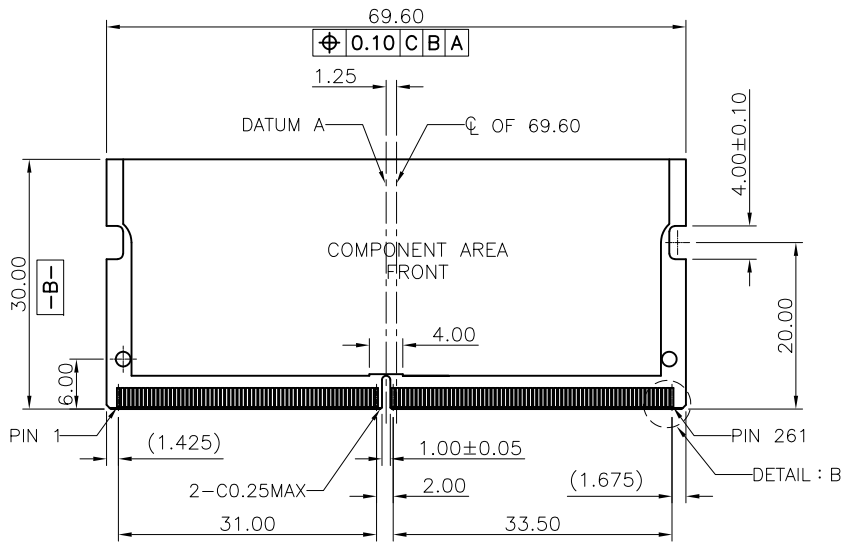


MATING/UNMATING VIEW
SCALE 2:1

- MATING : ① INSERTING(25°) → ② ROTATING → ③ FIXED
 UNMATING : ④ UNFIXED → ⑤ ROTATING → ⑥ WITHDRAWING

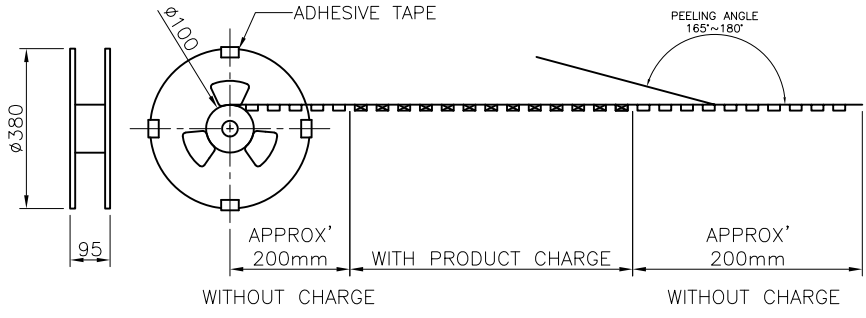
DIMENSIONS : mm		TOLERANCES UNLESS OTHERWISE SPECIFIED :		Chunxin Technology	
		X	± 0.30		
SCALE		X,X	± 0.20	SO-DIMM DDR5, Horizontal, Reverse Type, 0.5mm Pitch, 262Pin, 4.0H	
1:1		X,XX	± 0.10		
SHEET		ANGLES	± 3°	DRAWING No. CE-SOD28	
2/4					
SIZE		APVD		CUSTOMER DRAWING	
A4		SIMON LI			
		20220108			
		20220108			
		20220108			

1	INITIAL RELEASE	JACK WU	2022/01/08
2	NEW FORM	Ron Lo	2022/03/22
3			

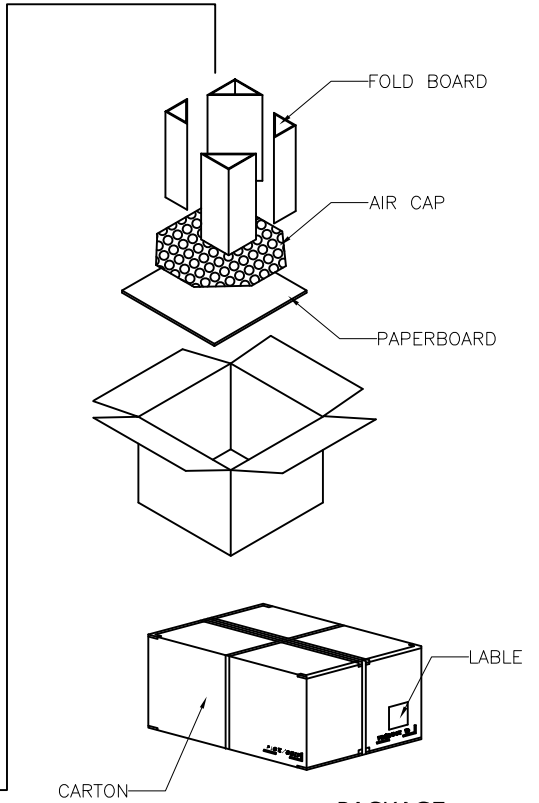
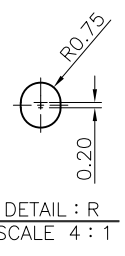
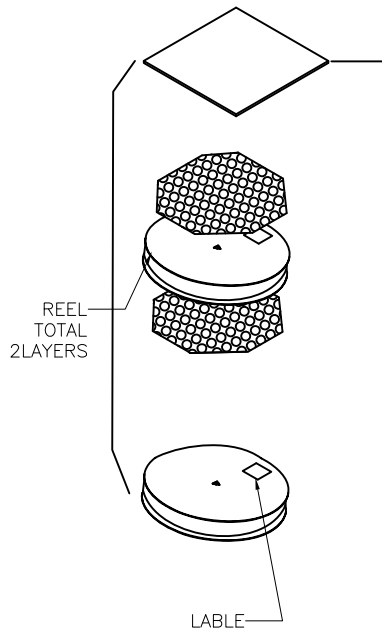
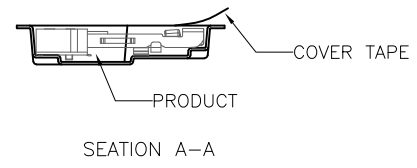
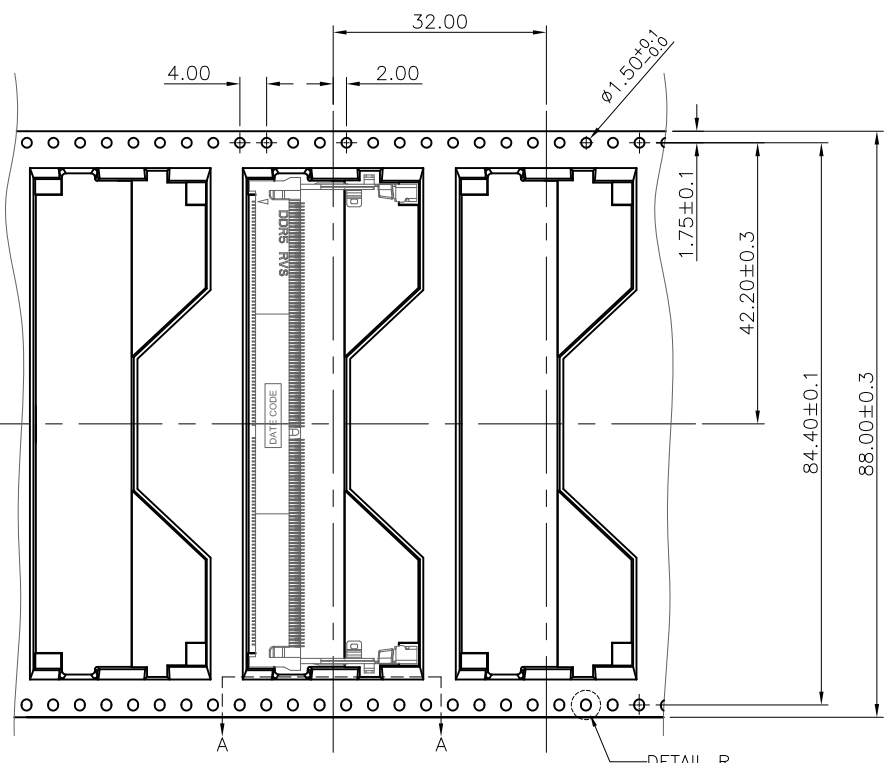


DIMENSIONS : mm		TOLERANCES UNLESS OTHERWISE SPECIFIED :		Chunxin Technology	
		X, X ± 0.30 X.X ± 0.20 X.XX ± 0.10 ANGLES ± 3°			
SCALE	1 : 1	DWN	JACK WU	NAME	
SHEET	3/4	CHK	PETER WANG	SO-DIMM DDR5, Horizontal, Reverse Type, 0.5mm Pitch, 262Pin, 4.0H	
SIZE	A4	APVD	SIMON LI	PRODUCT No.	CX4-DR540B-171
CUSTOMER DRAWING				DRAWING No.	CE-SOD28

1	INITIAL RELEASE	JACK WU	2022/01/08
2	NEW FORM	Ron Lo	2022/03/22
3			



PULL OUT DIRECTION



- PACKAGE :
- 500 PCS / Reel
 - 2 Reel / Carton
 - 1000 PCS / Carton

DIMENSIONS : mm		TOLERANCES UNLESS OTHERWISE SPECIFIED :		Chunxin Technology	
		X	± 0.30		
SCALE	DWN	X,X	± 0.20	SO-DIMM DDR5, Horizontal, Reverse Type, 0.5mm Pitch, 262Pin, 4.0H	
1 : 1	JACK WU	X,XX	± 0.10		
SHEET	CHK	ANGLES	$\pm 3^\circ$	PRODUCT No.	
4/4	PETER WANG			CX4-DR540B-171	
SIZE	APVD			DRAWING No.	
A4	SIMON LI			CE-SOD28	
CUSTOMER DRAWING					