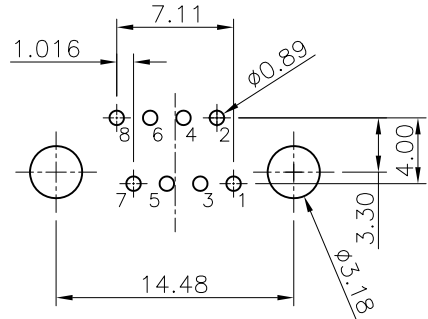
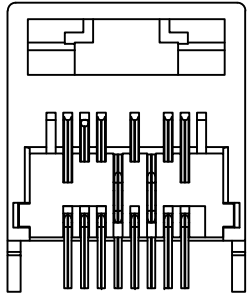
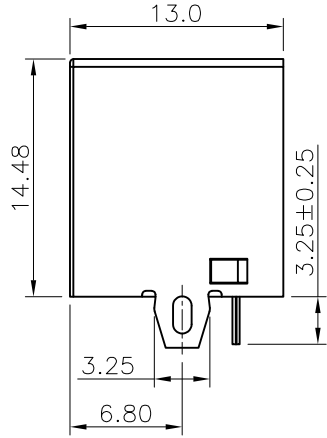
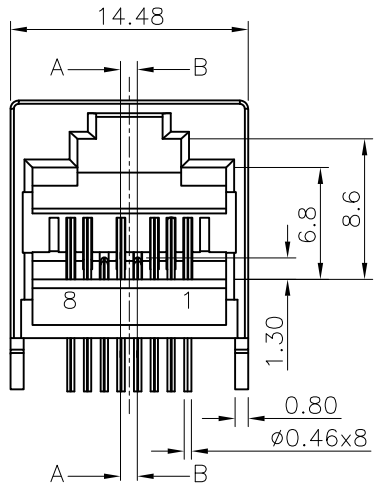


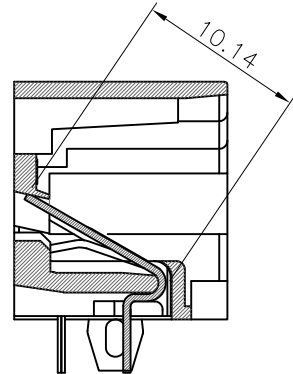
1	INITIAL RELEASE	JACK WU	2017/08/22
2	NEW FORM	JACK WU	2020/05/28
3			

SPECIFICATION:

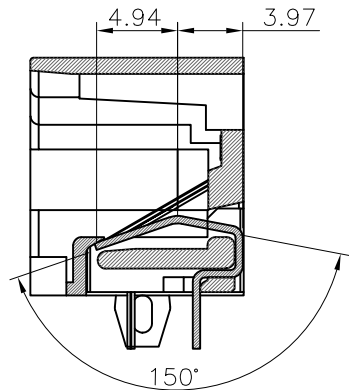
1. Current Rating: 1.5A
2. Voltage Rating: 150V AC.
3. Contact Resistance: 20mΩ Max.
4. Insulation Resistance: 50MΩ @ 500 VDC.
5. Dielectric Strength: 1000 VAC 60Hz, 1MIN.
6. Operating Life: 750 Cycles Min.
7. Operation Temperature: -40°C TO 85°C
8. Mates With Modular Plug Conforming to TIA-1096-A.



RECOMMENDED P.C.B LAYOUT



SECTION A-A



SECTION B-B

2.	CONTACT	Phosphor Bronze, Gold Flash Plated at Contact Area
1.	HOUSING	PBT, UL94 V-0, Black
NO.	PART NAME	DESCRIPTION
DIMENSIONS : mm		<p style="text-align: center;">Chunxin Technology</p> NAME
TOLERANCES UNLESS OTHERWISE SPECIFIED : X. ± 0.30 X.X ± 0.20 X.XX ± 0.10 ANGLES ± 3°		
SCALE	1 : 1	DWN JACK WU 20170822
SHEET	1/1	CHK PETER WANG 20170822
SIZE	A4	APVD SIMON LI 20170822
CUSTOMER DRAWING		PRODUCT No. CX3-RJS202-81
		DRAWING No. HI-RJS002