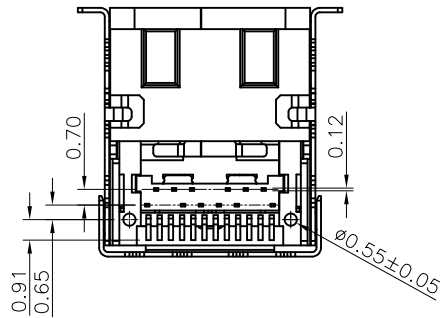
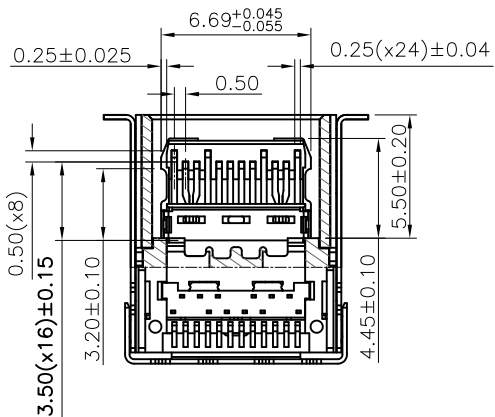
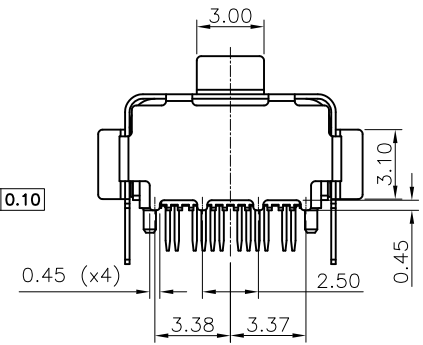
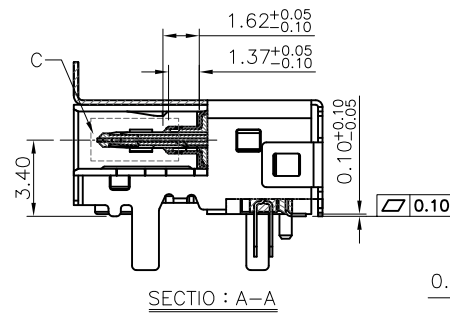
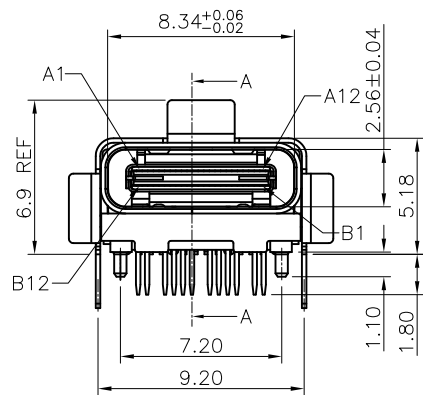
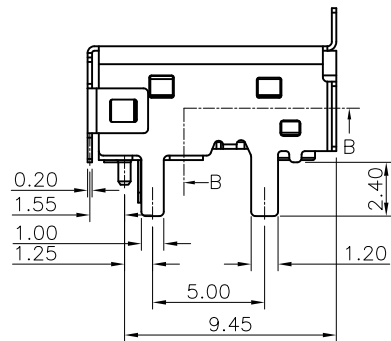
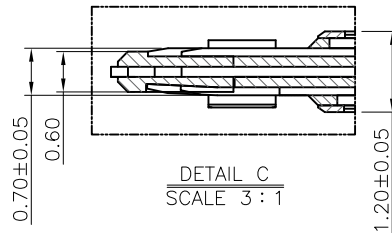
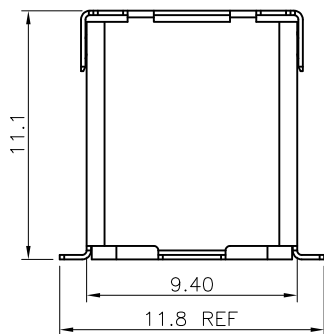
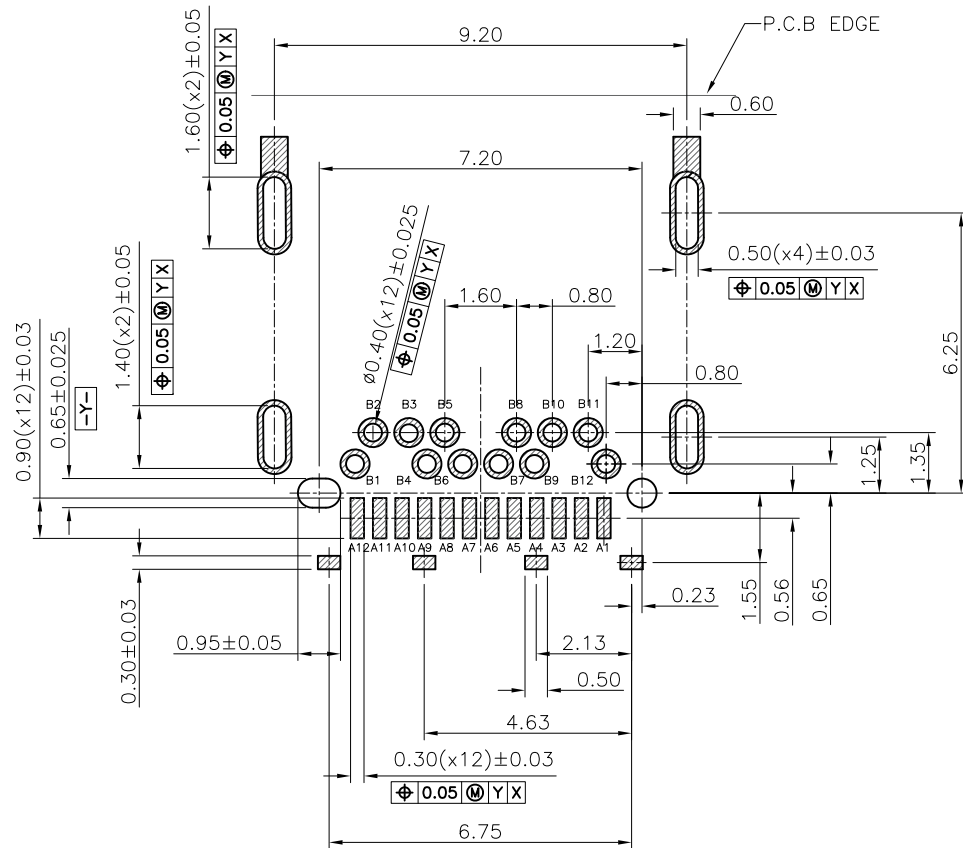


1	INITIAL RELEASE	JACK WU	2019/08/23
2	INITIAL RELEASE	JACK WU	2020/05/04
3			

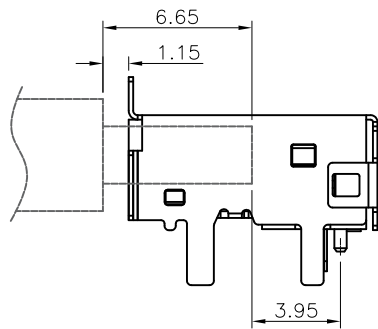


5.	OTHER SHELL	Stainless Steel
4.	OUTER SHELL	Stainless Steel, Ni Plated
3.	SHELL	Stainless Steel
2.	TERMINAL	Copper Alloy, GF on Contact Area
1.	HOUSING	LCP, UL 94 V-0, Black

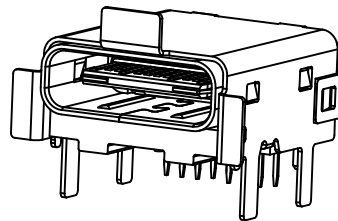
NO.	PART NAME	DESCRIPTION
Chunxin Technology		
NAME		
DIMENSIONS : mm		TOLERANCES UNLESS OTHERWISE SPECIFIED :
		X. ± 0.30
		X.X ± 0.20
		X.XX ± 0.10
		ANGLES ± 3°
SCALE 1 : 1	DWN JACK WU	20190823
SHEET 1/1	CHK PETER WANG	20190823
SIZE A4	APVD SIMON LI	20190823
CUSTOMER DRAWING		PRODUCT No. CX3-UCF2402-51
		DRAWING No. HI-UC004



RECOMMENDED P.C.B LAYOUT
P.C.B T=1.6mm



SIMULATION PLUG TO RECEPTACLE



SPECIFICATION:

- Current Rating:
5A For VBUS
1.25A For CC2 and GND
0.25A For Others
- Voltage Rating: 20V Max
- Contact Resistance: 40mΩ MAX.
- Insulation Resistance: 100MΩ MIN.
- Withstanding Voltage: 100V AC Min.
- Insertion Force: 5~20N
- Withdrawal Force: 8~20N
- Durability: 10,000 Cycles
- Operation Temperature: -55°C TO 85°C

PIN ASSIGNMENT :

PIN NO.	SIGNAL NAME	PIN NO.	SIGNAL NAME
A1	GND	B12	GND
A2	SSTXp1	B11	SSRXp1
A3	SSTXn1	B10	SSRXn1
A4	VBUS	B9	VBUS
A5	CC1	B8	SBU2
A6	Dp1	B7	Dn2
A7	Dn1	B6	Dp2
A8	SBU1	B5	CC2
A9	VBUS	B4	VBUS
A10	SSRXn2	B3	SSTXn2
A11	SSRXp2	B2	SSTXp2
A12	GND	B1	GND

NO.	PART NAME	DESCRIPTION
DIMENSIONS : mm		TOLERANCES UNLESS OTHERWISE SPECIFIED :
		X. ± 0.30
		X.X ± 0.20
		X.XX ± 0.10
		ANGLES ± 3°
SCALE	DWN 20190823	Chunxin Technology NAME
1 : 1	JACK WU	
SHEET	CHK 20190823	USB 3.1 Type C Female 24Pin High Rise : CH=3.4mm Hybrid Type
1/1	PETER WANG	
SIZE	APVD 20190823	PRODUCT No.
A4	SIMON LI	CX3-UCF2402-51
CUSTOMER DRAWING		DRAWING No.
		HI-UC004