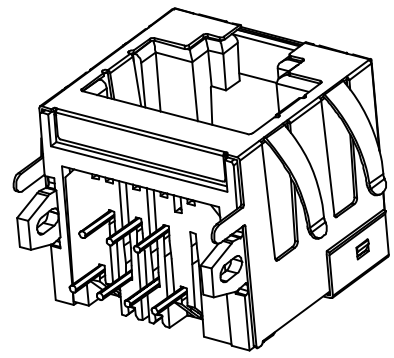
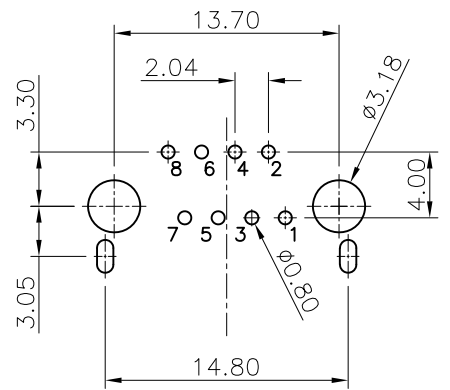
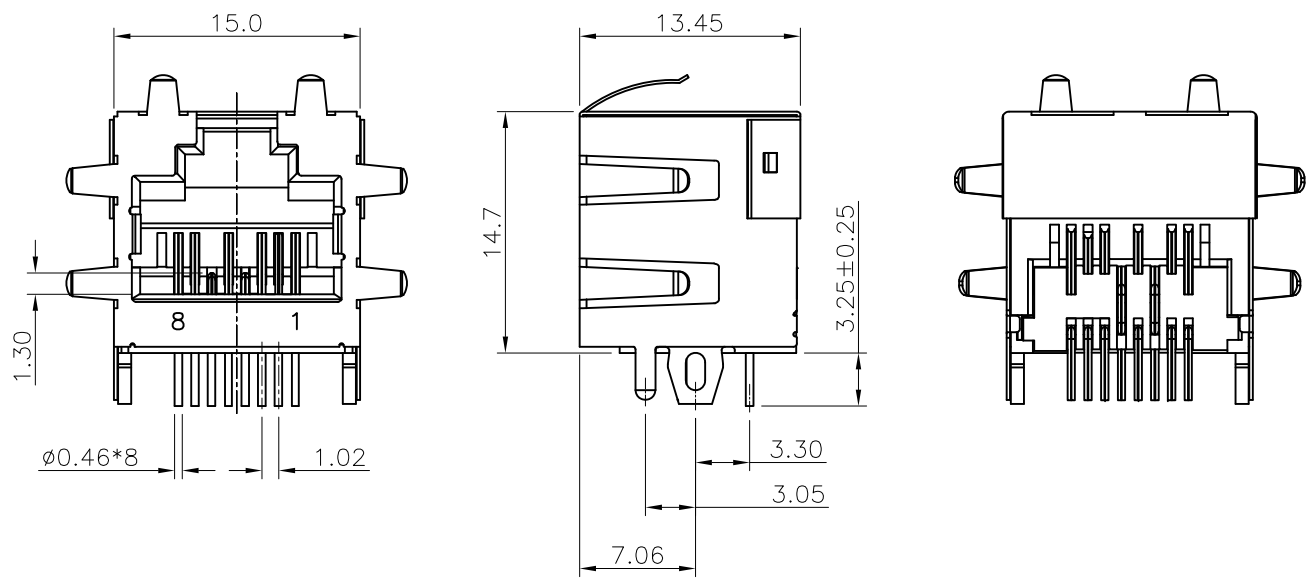


1	INITIAL RELEASE	JACK WU	2018/04/18
2	NEW FORM	JACK WU	2020/06/08
3			

SPECIFICATION:

1. Current Rating: 1.5A
2. Voltage Rating: 150V AC.
3. Contact Resistance: 20mΩ Max.
4. Insulation Resistance: 50MΩ @ 500 VDC.
5. Dielectric Strength: 1000 VAC 60Hz, 1MIN.
6. Operating Life: 750 Cycles Min.
7. Mating / Ummating Force: 30N/3.08KG Max.
8. Retention Strength: 50N Min / 60S±5
9. Operation Temperature: -40°C TO 85°C
10. Mates With Modular Plug Conforming to TIA-1096-A.



3.	SHELD	C2680H, Ni Plated For All
2.	CONTACT	Phosphor Bronze , Gold Flash Plated at Contact Area
1.	HOUSING	PBT, UL94 V-0, Black
NO.	PART NAME	DESCRIPTION
DIMENSIONS : mm		TOLERANCES UNLESS OTHERWISE SPECIFIED :
		X, ± 0.30
		X.X ± 0.20
		X.XX ± 0.10
		ANGLES ± 3°
SCALE		DWN 20180418
1 : 1		JACK WU
SHEET		CHK 20180418
1/1		PETER WANG
SIZE		APVD 20180418
A4		SIMON LI
CUSTOMER DRAWING		PRODUCT No. CX3-RJS203-81
		DRAWING No. HI-RJS003

Chunxin Technology

NAME

RJ45 JACK CAT6, R/A DIP UP LATCH, SHIELD TYPE