

1	INITIAL RELEASE	JACK WU	2014/03/28
2	NEW FORM	JACK WU	2020/06/08
3			

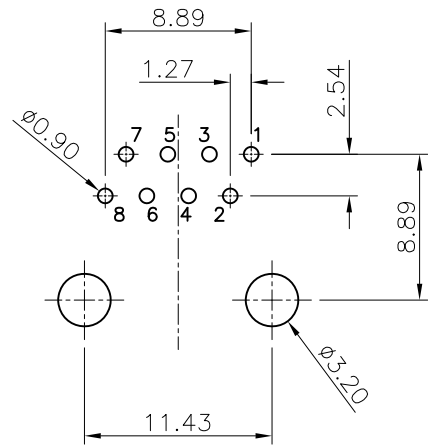
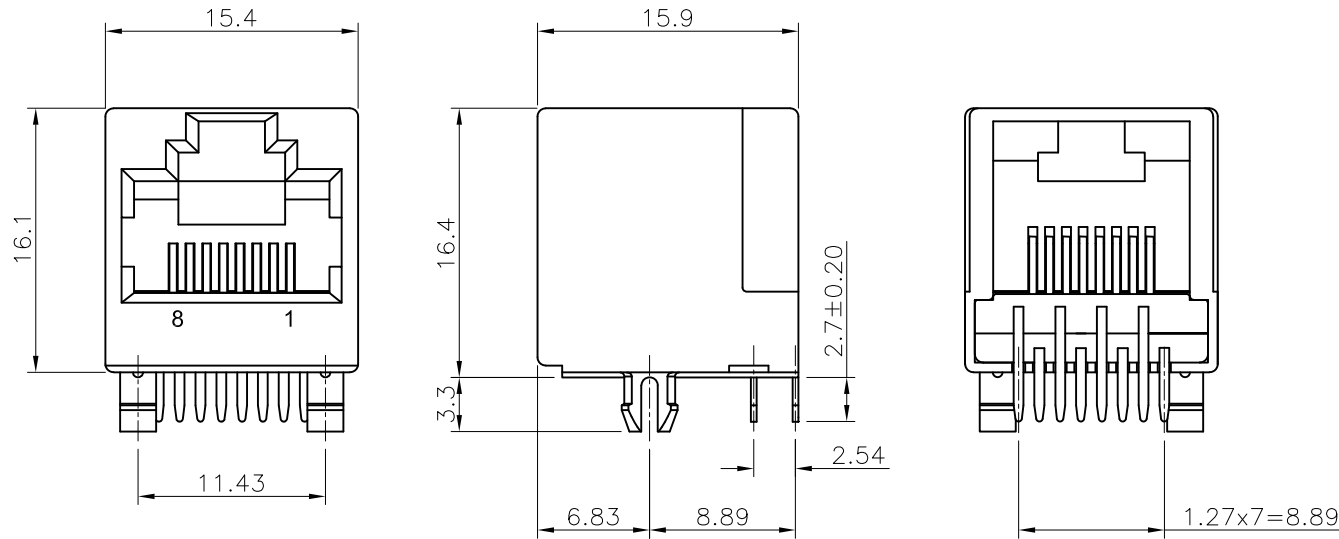
**SPECIFICATION:**

1. Current Rating: 1.5A
2. Voltage Rating: 125V AC.
3. Contact Resistance: 35mΩ Max.
4. Insulation Resistance: 1000MΩ @ 500 VDC.
5. Dielectric Strength: 1000 VAC 60Hz, 1MIN.
6. Operating Life: 750 Cycles Min.
7. PCB Retention Pre-Solder: 1 LB Min.
8. PCB Retention Post-Solder: 10 LBS Min.
9. Operation Temperature: -40°C TO 85°C
10. Mates With Modular Plug Conforming to TIA-1096-A.

**CATEGORY 6 CHARACTERISTIC**

Freguence	Near-End Cross Tale dB, MIN.	Return Loss dB, MIN.	Attenuation dB, MAX.
1.0 MHZ	75.0	35.5	0.1
4.0 MHZ	75.0	35.5	0.1
10.0 MHZ	74.0	35.5	0.1
16.0 MHZ	69.9	35.5	0.1
25.0 MHZ	66.0	35.5	0.1
31.25 MHZ	64.1	34.1	0.1
62.5 MHZ	58.1	28.1	0.1
100.0 MHZ	54.0	24.0	0.2
200.0 MHZ	48.0	18.0	0.3
250.0 MHZ	46.0	16.0	0.3

2.	CONTACT	Phosphor Bronze , Gold Flash Plated at Contact Area
1.	HOUSING	Hi-Temp Plastic, UL94 V-0
NO.	PART NAME	DESCRIPTION
DIMENSIONS : mm		<p style="text-align: center;"><b>Chunxin Technology</b></p> <p>NAME</p>
<p>TOLERANCES UNLESS OTHERWISE SPECIFIED :</p> <p>X.                   ± 0.30</p> <p>X.X                  ± 0.20</p> <p>X.XX                ± 0.10</p> <p>ANGLES            ± 3°</p>		
SCALE	1 : 1	DWN JACK WU 20140328
SHEET	1/1	CHK PETER WANG 20140328
SIZE	A4	APVD SIMON LI 20140328
CUSTOMER DRAWING		
		PRODUCT No. CX3-RJS204-81
		DRAWING No. HI-RJS004



**RECOMMENDED P.C.B LAYOUT**