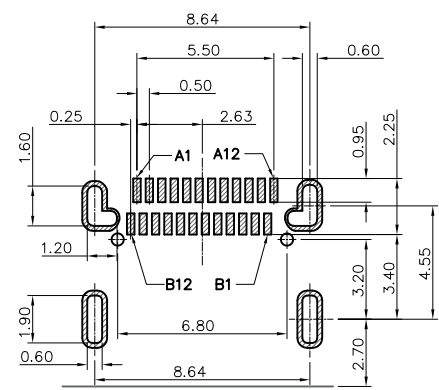
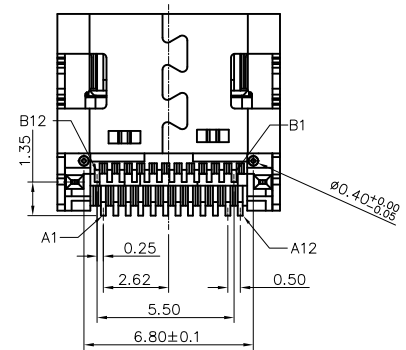
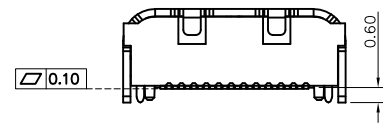
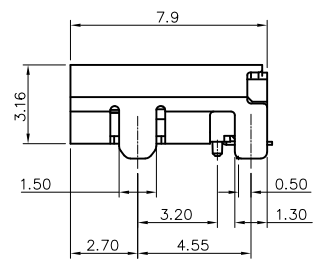
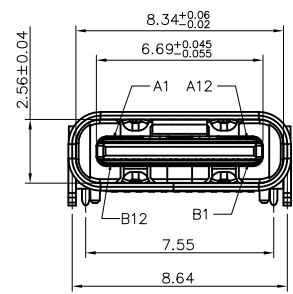
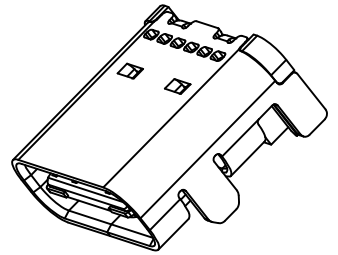
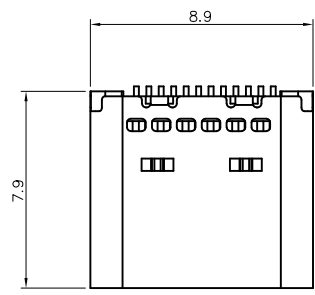


1	INITIAL RELEASE	JACK WU	2018/12/12
2	INITIAL RELEASE	JACK WU	2020/05/06
3			



RECOMMEND P.C.B LAYOUT (COMPONENT SIDE)
TOLERANCE FOR PCB LAYOUT IS ±0.05

SPECIFICATION:

1. Current Rating: 3A MIN FOR VBUS ; 0.25A MIN FOR OTHER.
2. Voltage : 5V AC MAX.
3. Insulator Resistance: 100M ohms Min.
4. Withstanding Voltage: 100V AC.
5. Contact Resistance : 40m ohms Max.
6. Mating Force : 5~20N Max.
7. Unmating Force : 8~20N Min.
8. Durability: 10,000 Cycles Min.
9. Temperature Range : -55°C ~ +85°C

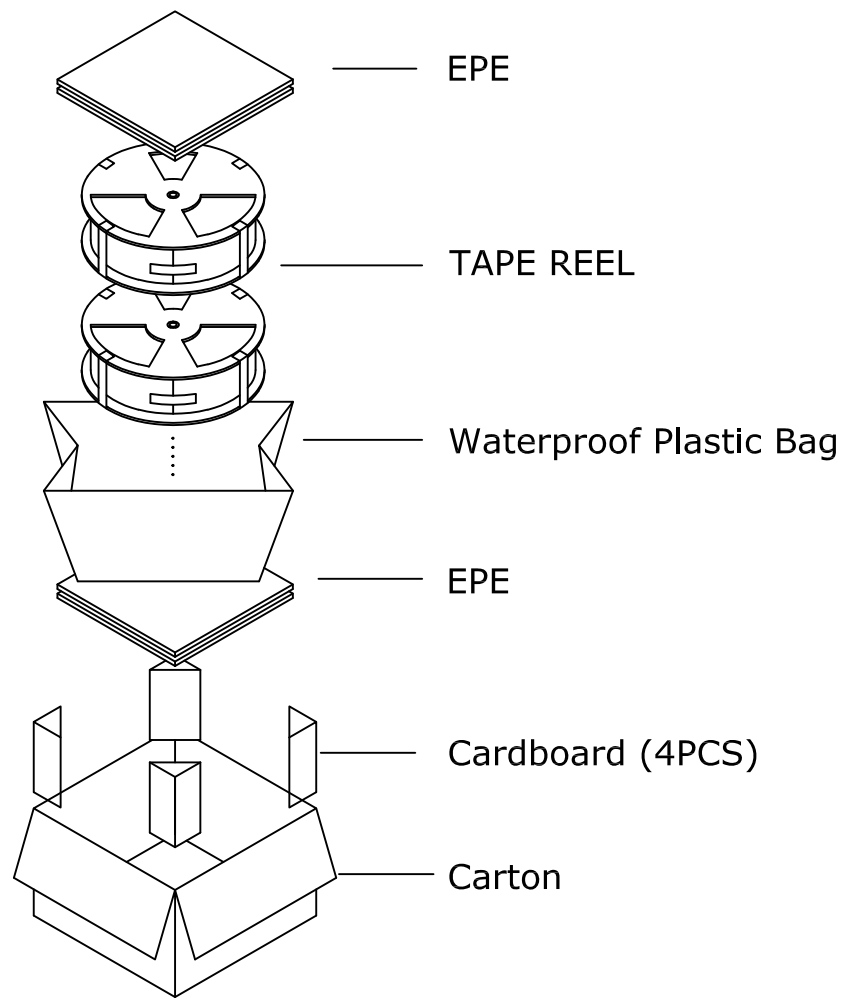
PIN ASSIGNMENTS

	Signal Name		Signal Name
A1	GND	B12	GND
A2	SSTXp1	B11	SSRXp1
A3	SSTxn1	B10	SSRXn1
A4	VBUS	B9	VBUS
A5	CC1	B8	SBU2
A6	Dp1	B7	Dn1
A7	Dn1	B6	Dp2
A8	SBU1	B5	CC2
A9	VBUS	B4	VBUS
A10	SSRXn2	B3	SSTXn2
A11	SSRXp2	B2	SSTXp2
A12	GND	B1	GND

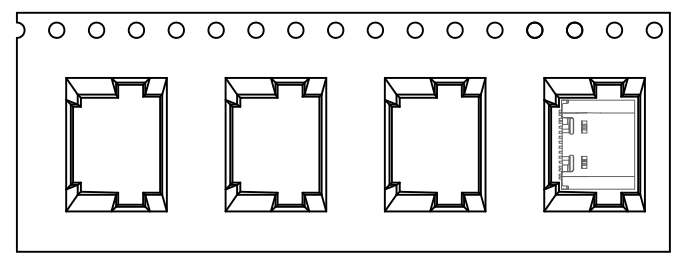
4.	SHILD	SUS304-H
3.	SHELL	SUS304-H, Ni Plated
2.	CONTACT	COPPER ALLOY, Gold Plated on Contact Area
1.	HOUSING	LCP, UL 94-V0

NO.	PART NAME	DESCRIPTION
DIMENSIONS : mm TOLERANCES UNLESS OTHERWISE SPECIFIED : X. ± 0.30 X.X ± 0.20 X.XX ± 0.10 ANGLES ± 3°		
SCALE : 1 : 1 SHEET : 1/1 SIZE : A4 CUSTOMER DRAWING		Chunxin Technology NAME : DWN JACK WU 20181212 CHK PETER WANG 20181212 APVD SIMON LI 20181212 PRODUCT No. CX3-UCF2403-21 DRAWING No. HI-UC005

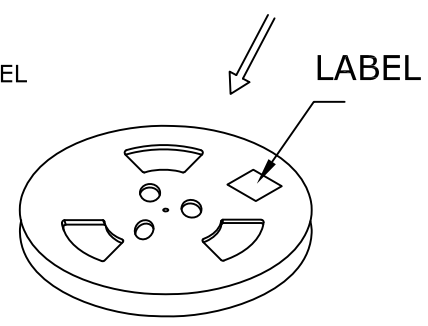
1	INITIAL RELEASE	JACK WU	2018/12/12
2	INITIAL RELEASE	JACK WU	2020/05/06
3			



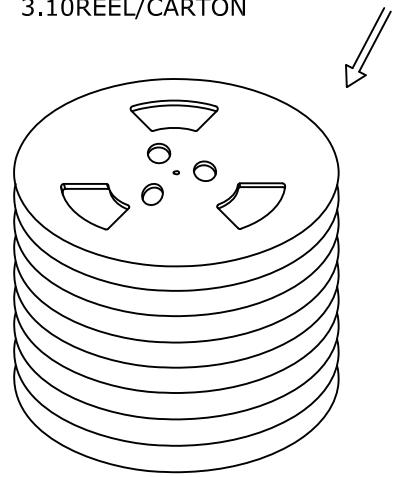
1. Place the connector on the carrier tape



2. 900PCS/REEL



3. 10REEL/CARTON



NO.	PART NAME	DESCRIPTION	
DIMENSIONS : mm		TOLERANCES UNLESS OTHERWISE SPECIFIED :	
		X	± 0.30
		X.X	± 0.20
		X.XX	± 0.10
		ANGLES	± 3°
SCALE	1 : 1	DWN	JACK WU 20181212
SHEET	1/1	CHK	PETER WANG 20181212
SIZE	A4	APVD	SIMON LI 20181212
CUSTOMER DRAWING		DRAWING No. HI-UC005	
		Chunxin Technology NAME USB 3.1 Type C Female 24Pin, R/A Dual SMT Type PRODUCT No. CX3-UCF2403-21 DRAWING No. HI-UC005	