

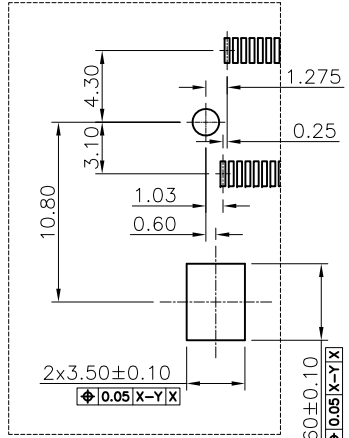
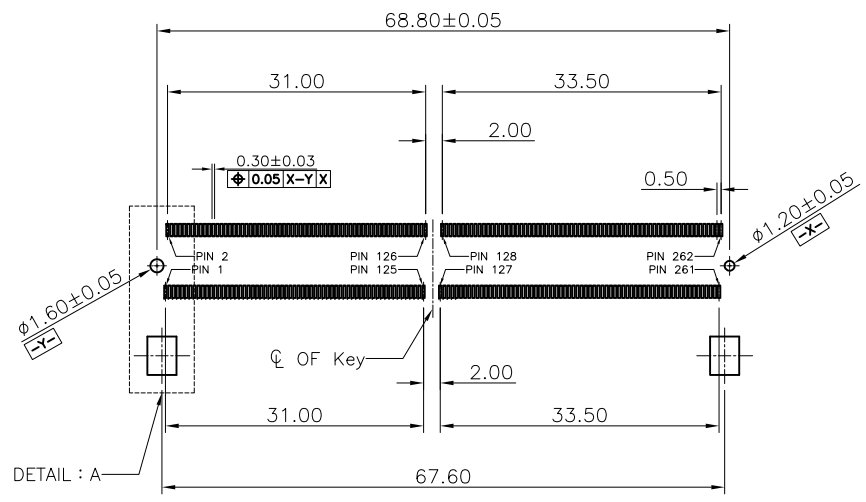
NOTE :
DATE CODE : YYWDLX

1. YY : YEAR (21 : 2021)
2. WW : WEEK (25 : The 25th Week)
3. D : DAY (1~7 Sunday~Saturday)
4. L : Line Number of Assembly (A : Line A)
5. X : Manufaiure Code

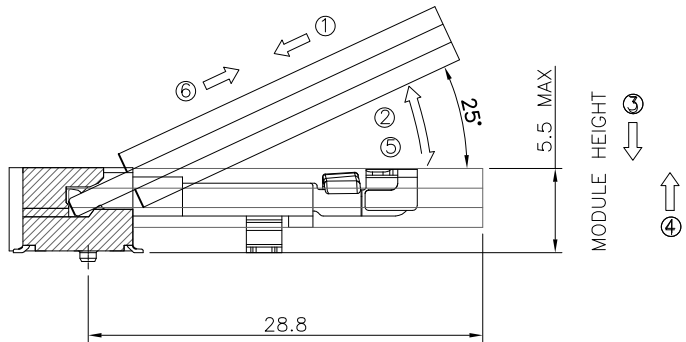
4	LATCH	Stainless Steel
3	SOLDER PEG	Stainless Steel, Tin Plating Entire Over
2	TERMINAL	Phosphor Bronze, Gold Flash on Contact Area Gold Flash on Solder tail
1	HOUSING	LCP, UL94V-0, Black
NO.	PART NAME	DESCRIPTION
DIMENSIONS : mm		TOLERANCES UNLESS OTHERWISE SPECIFIED :
		X, ± 0.30 X.X ± 0.20 X.XX ± 0.10 ANGLES ± 3°
SCALE	DWN	20220223
SHEET	CHK	20220223
SIZE	APVD	20220223
CUSTOMER DRAWING		DRAWING No.
		CE-SOD30
		NAME
		Chunxin Technology
		SO-DIMM DDR5, Horizontal, Reverse Type, 0.5mm Pitch, 262Pin, 5.2H
		PRODUCT No. CX4-DR552B-171

1	INITIAL RELEASE	JACK WU	2022/02/23
2	NEW FORM	Ron Lo	2022/03/24
3			

1	INITIAL RELEASE	JACK WU	2022/02/23
2	NEW FORM	Ron Lo	2022/03/24
3			




DETAIL : A
SCALE 2 : 1

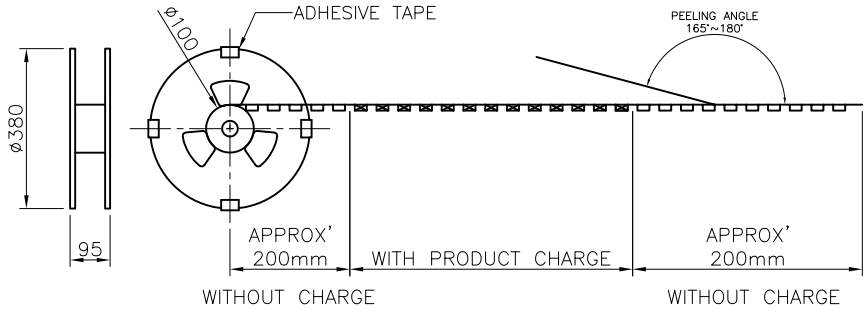


MATING/UNMATING VIEW
SCALE 2 : 1

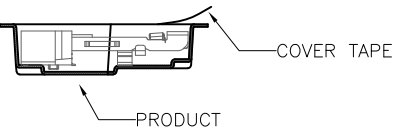
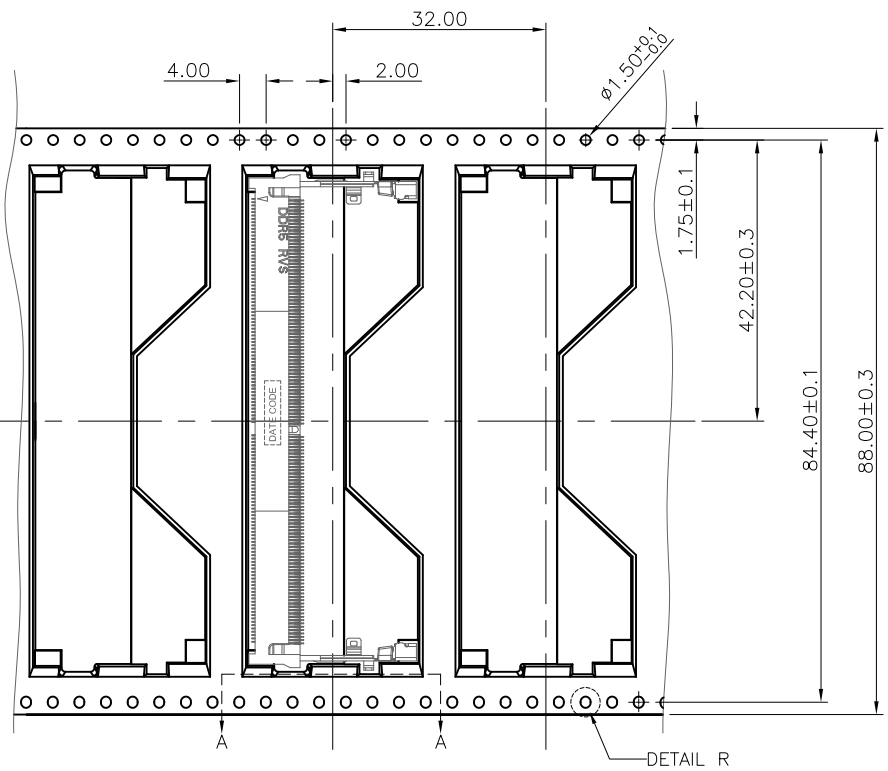
MATING : ① INSERTING(25°) → ② ROTATING → ③ FIXED
UNMATING : ④ UNFIXED → ⑤ ROTATING → ⑥ WITHDRAWING

DIMENSIONS : mm		TOLERANCES UNLESS OTHERWISE SPECIFIED :		Chunxin Technology NAME	
		X	± 0.30		
SCALE 1 : 1		X.X	± 0.20	PRODUCT No. CX4-DR552B-171	
SHEET 2/4		X.XX	± 0.10		
SIZE A4		ANGLES	± 3°		
CUSTOMER DRAWING					

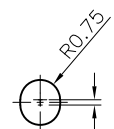
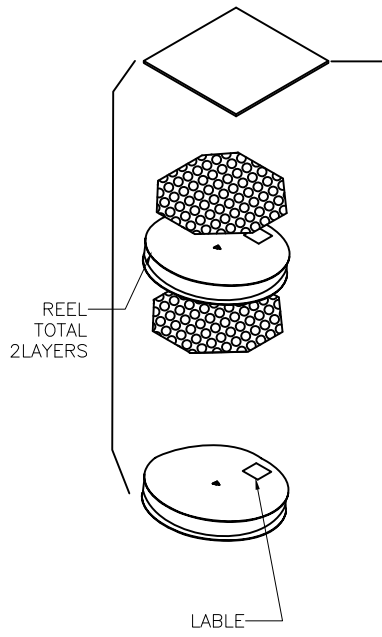
1	INITIAL RELEASE	JACK WU	2022/02/23
2	NEW FORM	Ron Lo	2022/03/24
3			



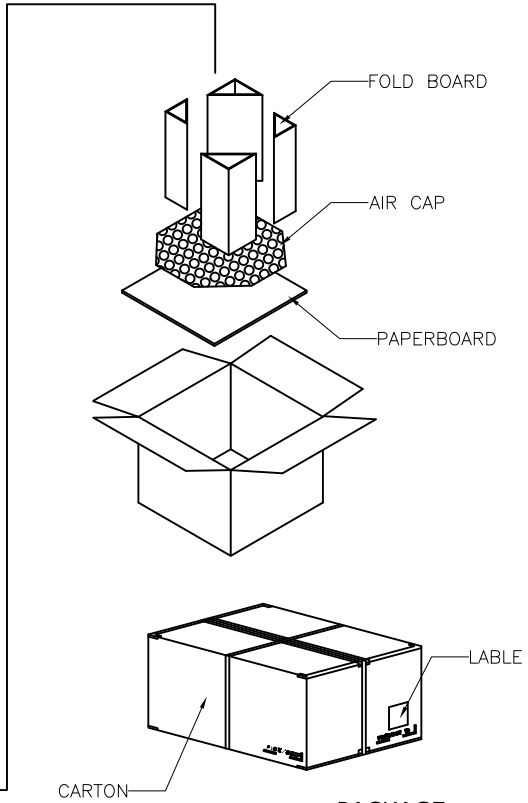
PULL OUT DIRECTION →



SECTION A-A



DETAIL : R
SCALE 4 : 1



- PACKAGE :
- 400 PCS / Reel
 - 2 Reel / Carton
 - 800 PCS / Carton

DIMENSIONS : mm		TOLERANCES UNLESS OTHERWISE SPECIFIED :		Chunxin Technology		
		X	± 0.30			NAME
SCALE		DWN	JACK WU	20220208	SO-DIMM DDR5, Horizontal, Reverse Type, 0.5mm Pitch, 262Pin, 5.2H	
1 : 1		CHK	PETER WANG	20220208		
SHEET		4/4			PRODUCT No.	CX4-DR552B-171
SIZE		APVD	SIMON LI	20220208	DRAWING No.	CE-SOD30
CUSTOMER DRAWING						