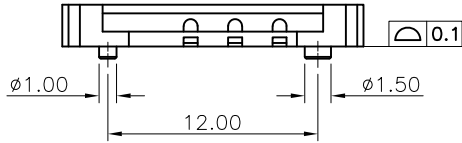
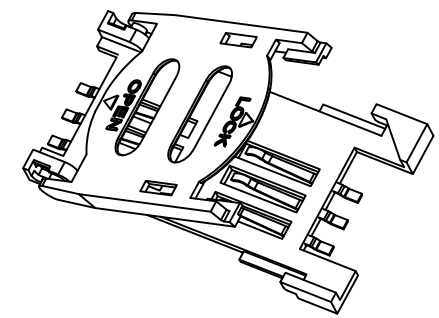
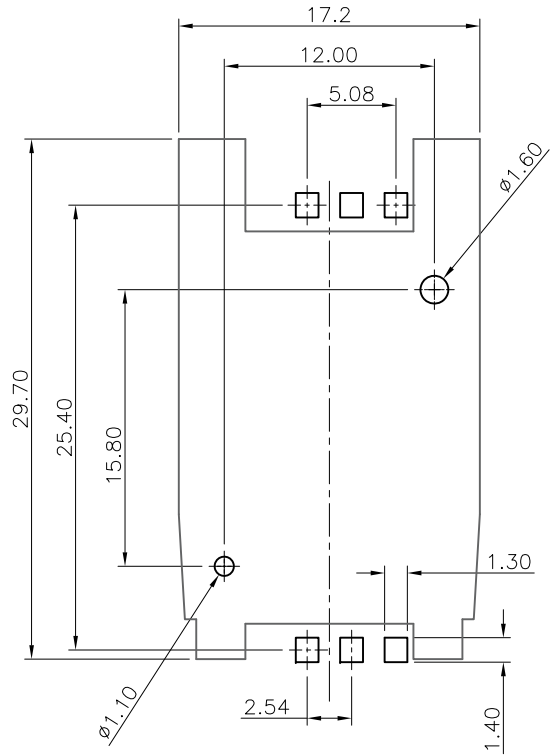
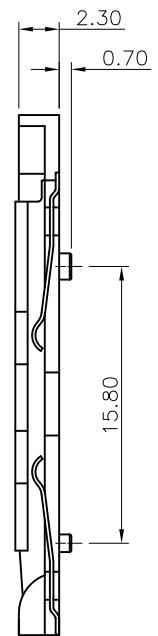
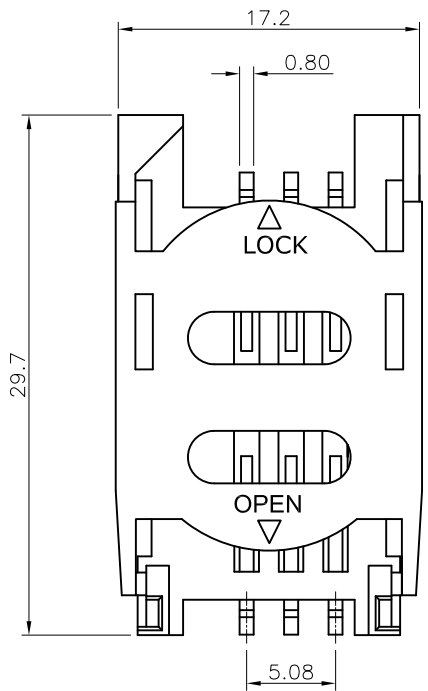


1	INITIAL RELEASE	JACK WU	2009/09/22
2	NEW FORM	JACK WU	2020/05/01
3			

**SPECIFICATION:**

1. Current Rating: 1A
2. Voltage : 50V AC
3. Insulator Resistance: 1000M  $\Omega$  Min.
4. Withstanding Voltage: 500V AC
5. Operating Temperature : -40°C ~ +85°C

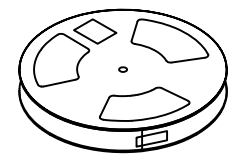
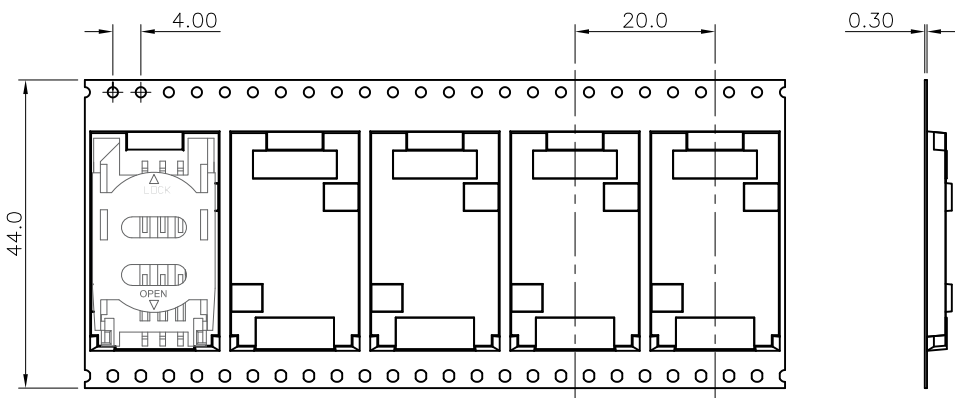


**RECOMMENDED P.C.B LAYOUT**  
**ALL TOLERANCE  $\pm 0.05$ mm**

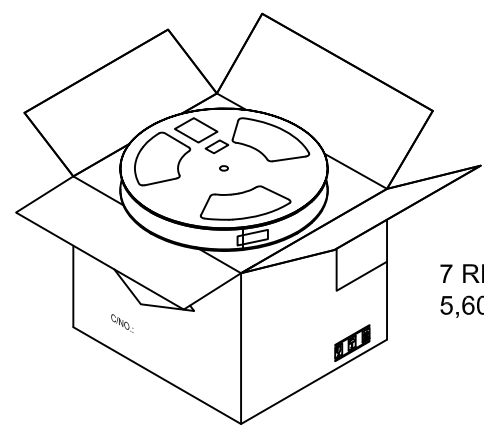
2.	CONTACT	Copper Alloy , Gold Plating on Contact Area
1.	HOUSING	Hi-Temp Thermoplastic UL94v-0, Black
NO.	PART NAME	DESCRIPTION
DIMENSIONS : mm		TOLERANCES UNLESS OTHERWISE SPECIFIED :
		X. $\pm 0.30$ X.X $\pm 0.20$ X.XX $\pm 0.10$ ANGLES $\pm 3^\circ$
SCALE	DWN	20090922
1 : 1	JACK WU	
SHEET	CHK	20090922
1/2	PETER WANG	
SIZE	APVD	20090922
A4	SIMON LI	
CUSTOMER DRAWING		PRODUCT No. CX1-SM6301-41
		DRAWING No. CS-SIM003

**Chunxin Technology**  
NAME  
SIM Socket High Type, 6Pin w/Post

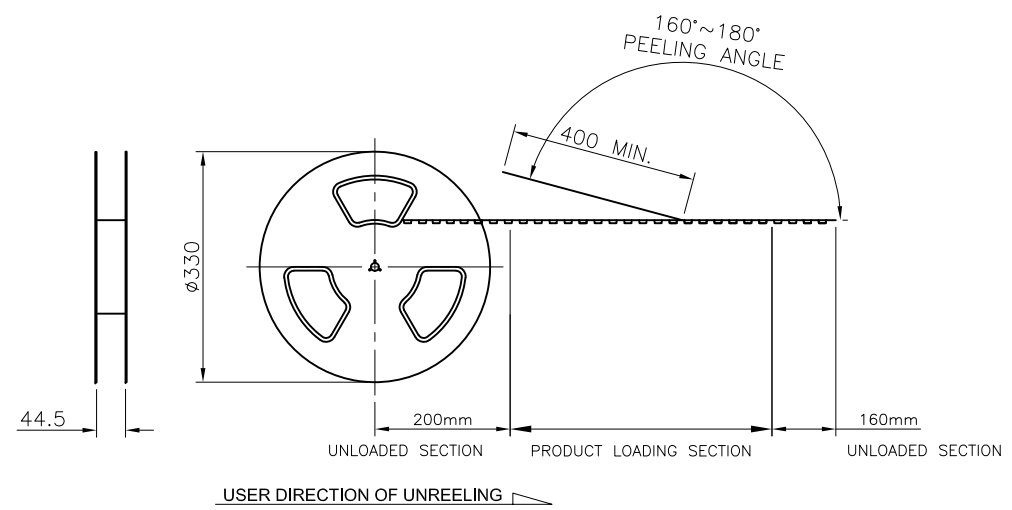
1	INITIAL RELEASE	JACK WU	2009/09/22
2	NEW FORM	JACK WU	2020/05/01
3			



800PCS / REEL



7 REEL / CARTON  
5,600PCS / CARTON



NOTES

- NUMBER OF CONNECTORS :  
800 PCS / REEL ; 5,600 PCS / CARTON
- CARTON : 345mm x 345mm x380mm

NO.	PART NAME	DESCRIPTION
DIMENSIONS : mm		<b>Chunxin Technology</b> NAME SIM Socket High Type, 6Pin w/Post
TOLERANCES UNLESS OTHERWISE SPECIFIED : X, ± 0.30 X.X, ± 0.20 X.XX, ± 0.10 ANGLES ± 3°		
SCALE	DWN JACK WU 20090922	PRODUCT No. CX1-SM6301-41
SHEET	CHK PETER WANG 20090922	
SIZE	APVD SIMON LI 20090922	DRAWING No. CS-SIM003
CUSTOMER DRAWING		