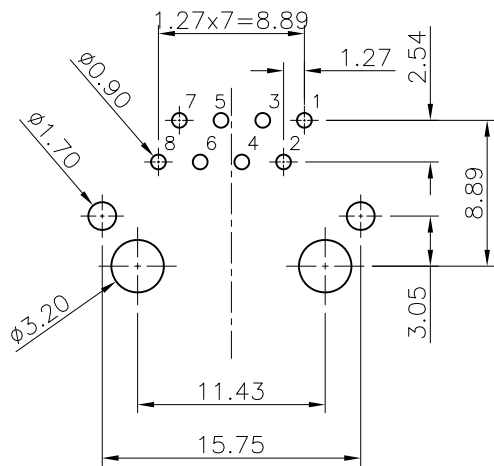
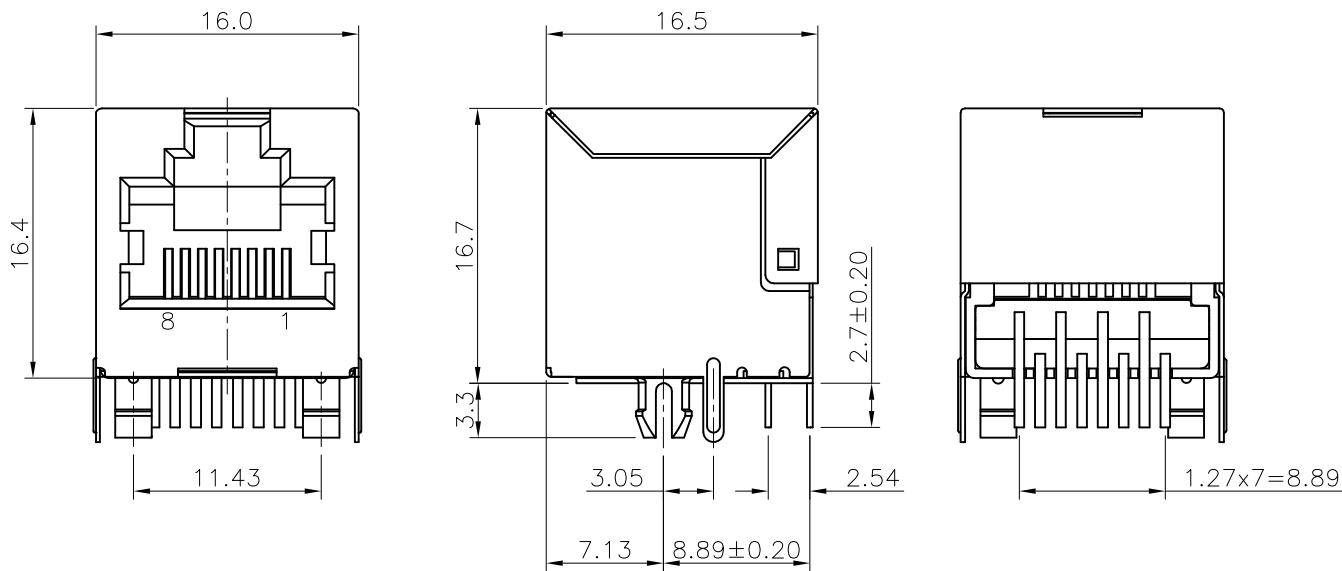


1	INITIAL RELEASE	JACK WU	2017/05/16
2	NEW FORM	JACK WU	2020/05/25
3			



**RECOMMENDED P.C.B LAYOUT**  
T=1.6mm, COMPONENT SIDE

**SPECIFICATION:**

1. Current Rating: 1.5A
2. Voltage Rating: 125V AC.
3. Contact Resistance: 35mΩ Max.
4. Insulation Resistance: 1000MΩ @ 500 VDC. MIN.
5. Dielectric Strength: 1000 VAC 60Hz, 1MIN.
6. Operating Life: 750 Cycles Min.
7. PCB Retention Pre-Solder: 1LB MIN.
8. PCB Retention Post-Solder: 10 LBS MIN.
9. Operation Temperature: -40°C TO 85°C
10. Mates With Modular Plug Conforming to TIA-1096-A.

**CATEGORY 6 CHARACTERISTIC :**

Frequence	Near-End Cross Talk dB, Min	Return Loss dB, Min.	Attenuation dB, Max.
1.00 MHZ	75.0	35.5	0.1
4.00 MHZ	75.0	35.5	0.1
10.0 MHZ	74.0	35.5	0.1
16.0 MHZ	69.9	35.5	0.1
25.0 MHZ	66.0	35.5	0.1
31.25 MHZ	64.1	34.1	0.1
62.5 MHZ	58.1	28.1	0.1
100.0 MHZ	54.0	24.0	0.2
200.0 MHZ	48.0	18.0	0.3
300.0 MHZ	46.0	16.0	0.3

3.	SHIELD	Copper Alloy, Tin Plated
2.	CONTACT	Phosphor Bronze, Gold Plated
1.	HOUSING	High Temp Plastic, UL94 V-0
NO.	PART NAME	DESCRIPTION
DIMENSIONS : mm		<b>Chunxin Technology</b> NAME SCALE 1 : 1 DWN JACK WU 20170516 SHEET 1/1 CHK PETER WANG 20170516 SIZE A4 APVD SIMON LI 20170516 CUSTOMER DRAWING
TOLERANCES UNLESS OTHERWISE SPECIFIED : X.                   ± 0.30 X.X                 ± 0.20 X.XX              ± 0.10 ANGLES           ± 3°		
		<b>RJ45 JACK CAT6, R/A DIP UP LATCH, SHIELD TYPE</b> PRODUCT No. CX3-RJS201-81 DRAWING No. HI-RJS001