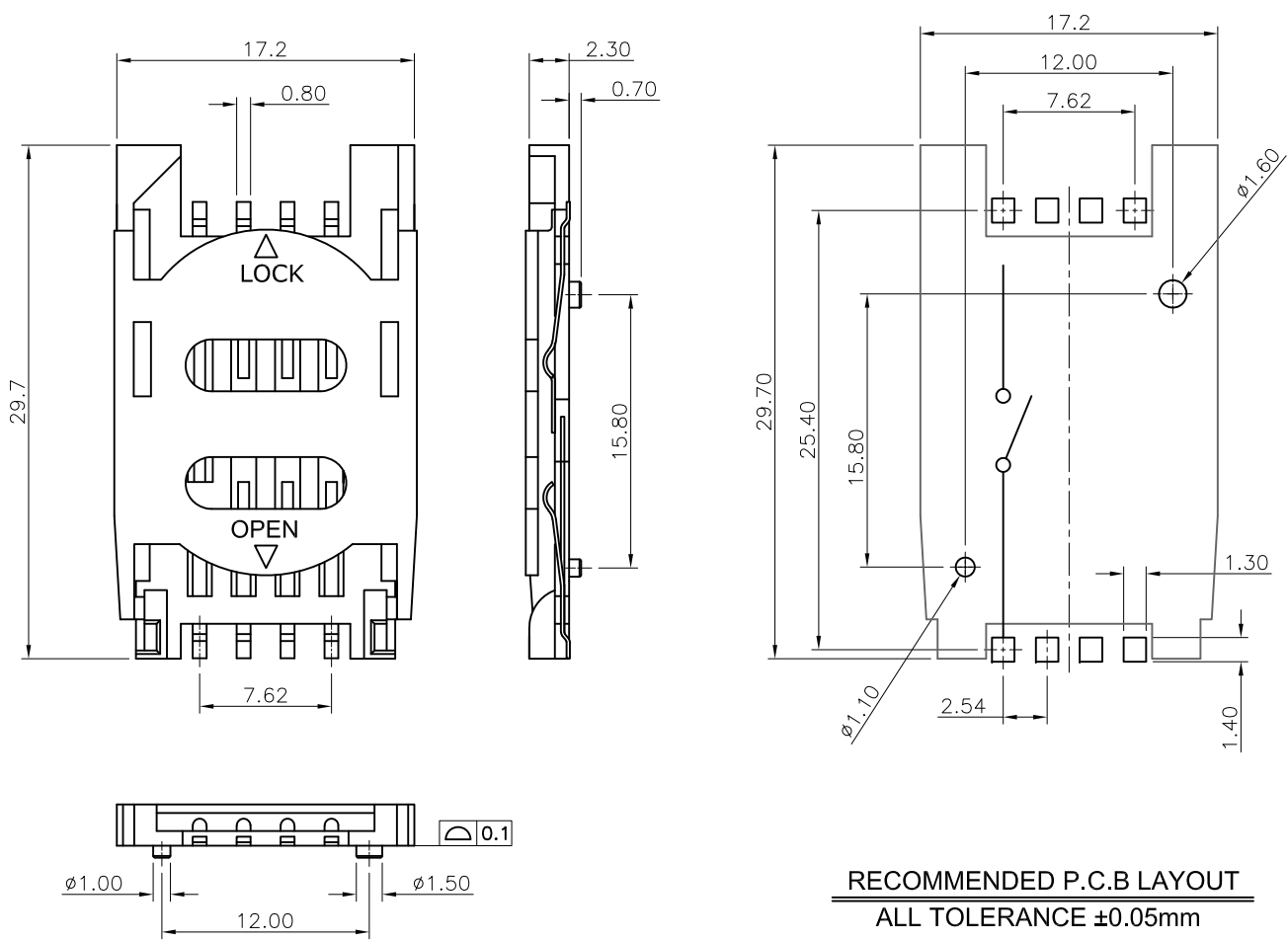


1	INITIAL RELEASE	JACK WU	2009/09/22
2	NEW FORM	JACK WU	2020/05/01
3			

**SPECIFICATION:**

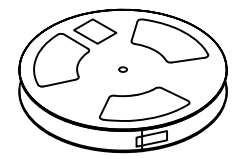
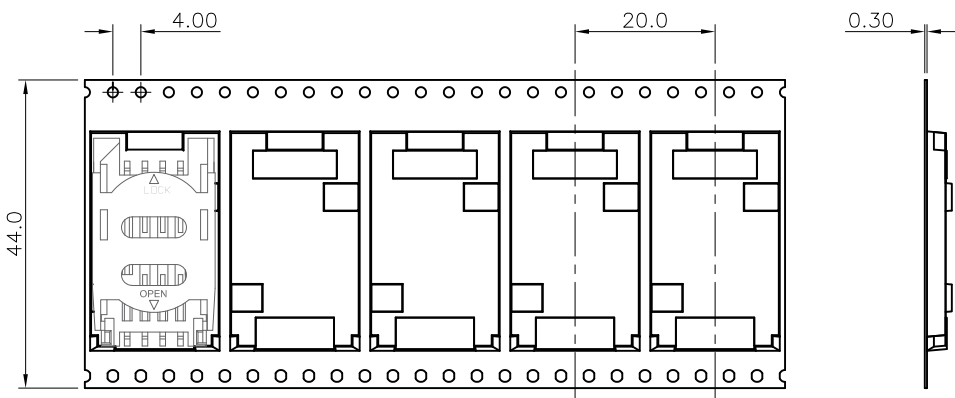
1. Current Rating: 1A
2. Voltage : 50V AC
3. Insulator Resistance: 1000M  $\Omega$  Min.
4. Withstanding Voltage: 500V AC
5. Operating Temperature : -40°C ~ +85°C



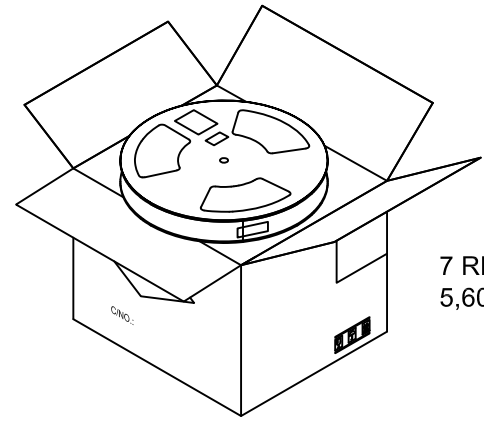
**RECOMMENDED P.C.B LAYOUT**  
**ALL TOLERANCE  $\pm 0.05$ mm**

2.	CONTACT	Copper Alloy , Gold Plating on Contact Area
1.	HOUSING	Hi-Temp Thermoplastic UL94v-0, Black
NO.	PART NAME	DESCRIPTION
DIMENSIONS : mm		TOLERANCES UNLESS OTHERWISE SPECIFIED :
		X. $\pm 0.30$ X.X $\pm 0.20$ X.XX $\pm 0.10$ ANGLES $\pm 3^\circ$
SCALE	1 : 1	DWN JACK WU 20090922
SHEET	1/2	CHK PETER WANG 20090922
SIZE	A4	APVD SIMON LI 20090922
CUSTOMER DRAWING		PRODUCT No. CX1-SM6302-41
		DRAWING No. CS-SIM005
		NAME Chunxin Technology
		SIM Socket High Type, 6Pin w/SW w/Post

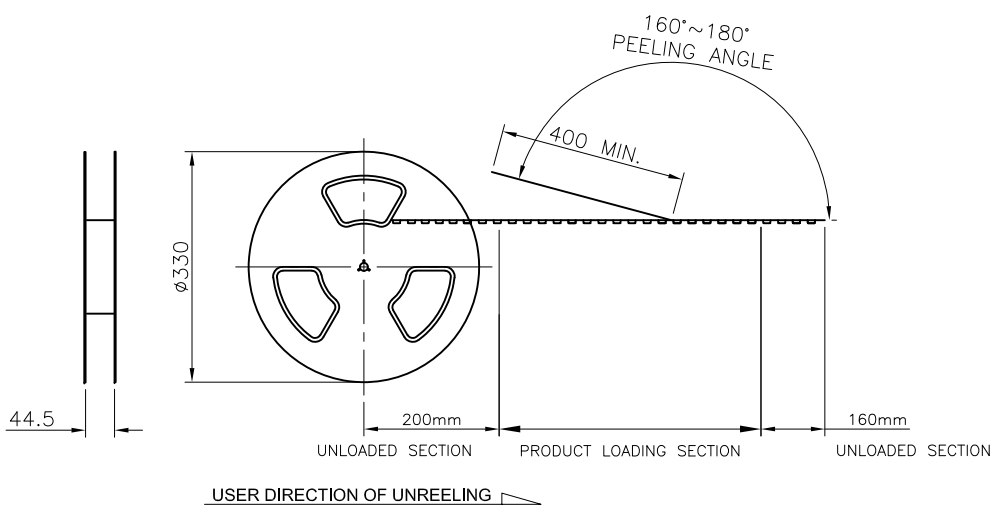
1	INITIAL RELEASE	JACK WU	2009/09/22
2	NEW FORM	JACK WU	2020/05/01
3			



800PCS / REEL



7 REEL / CARTON  
5,600PCS / CARTON



NOTES

- NUMBER OF CONNECTORS :  
800 PCS / REEL ; 5,600 PCS / CARTON
- CARTON : 345mm x 345mm x380mm

NO.	PART NAME	DESCRIPTION
DIMENSIONS : mm		<p><b>Chunxin Technology</b></p> <p>NAME</p>
<p>TOLERANCES UNLESS OTHERWISE SPECIFIED :</p> <p>X, ± 0.30</p> <p>X.X, ± 0.20</p> <p>X.XX, ± 0.10</p> <p>ANGLES ± 3°</p>		
SCALE	DWN JACK WU 20090922	SIM Socket High Type, 6Pin w/SW w/Post
SHEET	CHK PETER WANG 20090922	
SIZE	APVD SIMON LI 20090922	PRODUCT No. CX1-SM6302-41
CUSTOMER DRAWING		DRAWING No. CS-SIM005