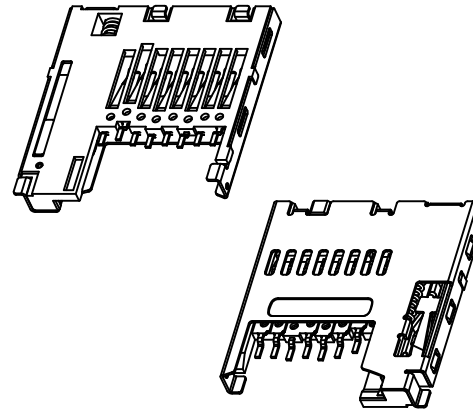


**RECOMMENDED P.C.B LAYOUT**  
ALL TOLERANCE  $\pm 0.05\text{mm}$



1	INITIAL RELEASE	JACK WU	2010/11/05
2	NEW FORM	JACK WU	2020/04/14
3			

**SPECIFICATION:**

1. Current Rating: 0.5A
2. Insulator Resistance: 1000M  $\Omega$  Min.
3. Withstanding Voltage: 500V AC
4. Contact Resistance : 100m ohms Max.
5. Durability: 10,000 Cycles Min.

**PIN DEFINE**

PDA No.	Memory Card
TF-01	TF-DATA2
TF-02	TF-CD/DATA3
TF-03	TF-CMD
TF-04	TF-VDD
TF-05	TF-CLK
TF-06	TF-VSS
TF-07	TF-DAT0
TF-08	TF-DAT1

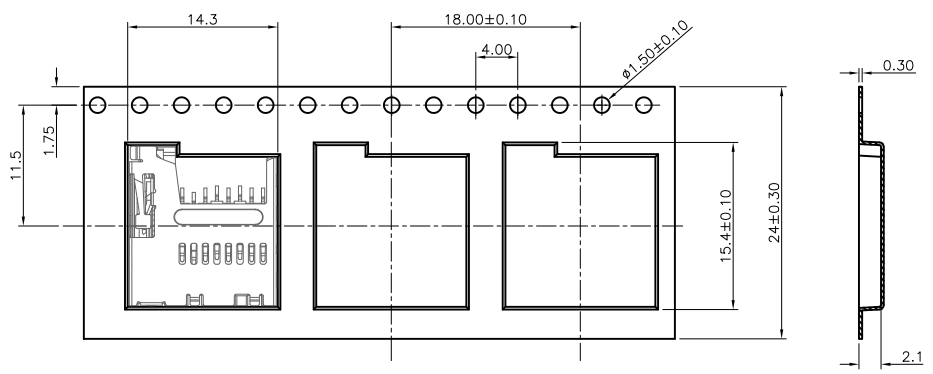
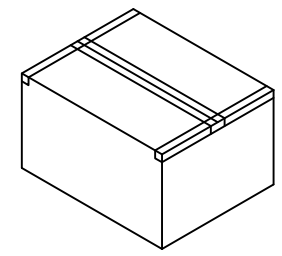
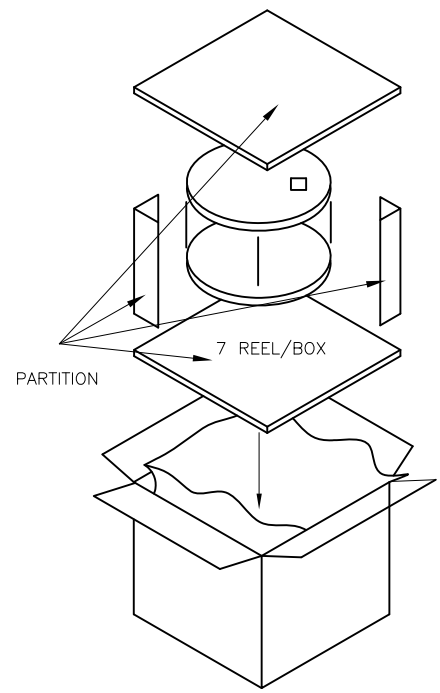
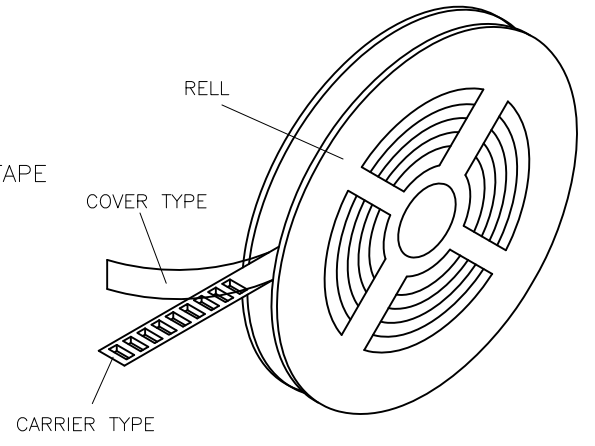
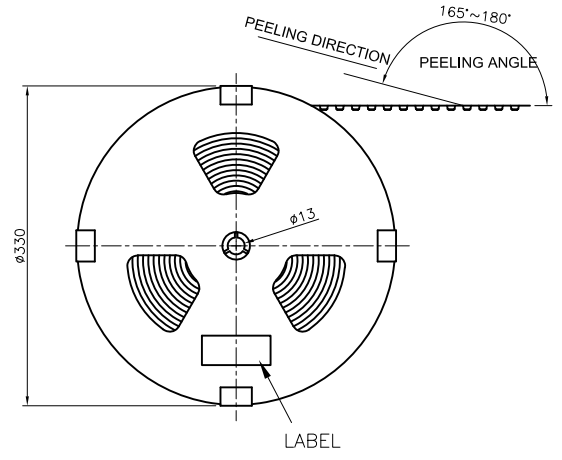
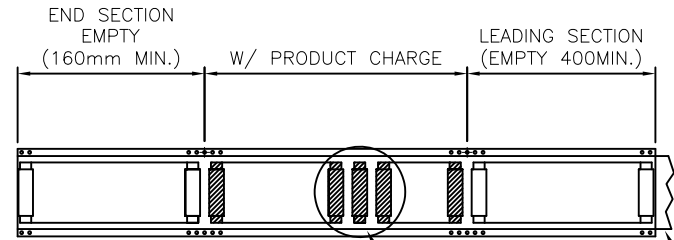
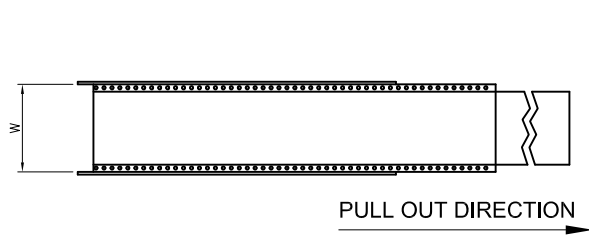
6.	SPRING	SWP
5.	CAM PIN	Stainless
4.	SLIDER CAM	Synthetic Resin, Black
3.	CONTACT-SD	Copper Alloy, 5u" Gold Plating on Contact Area
2.	SHELL	Stainless
1.	HOUSING	Synthetic Resin, Black

NO.	PART NAME	DESCRIPTION
DIMENSIONS : mm		TOLERANCES UNLESS OTHERWISE SPECIFIED :
		X, $\pm 0.30$
		X.X $\pm 0.20$
		X.XX $\pm 0.10$
		ANGLES $\pm 3^\circ$
SCALE	DWN	20101105
1 : 1	JACK WU	
SHEET	CHK	20101105
1/2	PETER WANG	
SIZE	APVD	20101105
A4	SIMON LI	
CUSTOMER DRAWING		PRODUCT No. CX1-MSD201-21
		DRAWING No. CS-MSD001

**Chunxin Technology**

NAME  
Micro SD Socket Push Push Type

1	INITIAL RELEASE	JACK WU	2011/12/09
2	NEW FORM	JACK WU	2020/04/14
3			



**NOTES:**

1. BOX : 350mm x 350mm x 500mm
2. PACKING : 1,000 PCS/Reel ; 10 Reel/Box

NO.	PART NAME	DESCRIPTION
DIMENSIONS : mm		<b>Chunxin Technology</b> NAME SD Socket Push Push Type
TOLERANCES UNLESS OTHERWISE SPECIFIED : X. ± 0.30 X.X ± 0.20 X.XX ± 0.10 ANGLES ± 3°		
SCALE	DWN JACK WU 20111209	PRODUCT No. CX1-SD202-21
SHEET	CHK PETER WANG 20111209	
SIZE	APVD SIMON LI 20111209	DRAWING No. CS-SD002
CUSTOMER DRAWING		