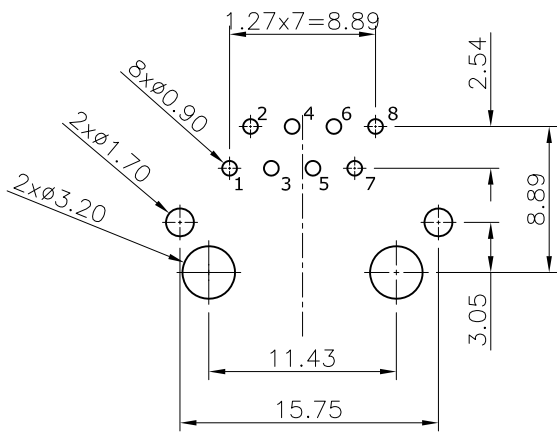
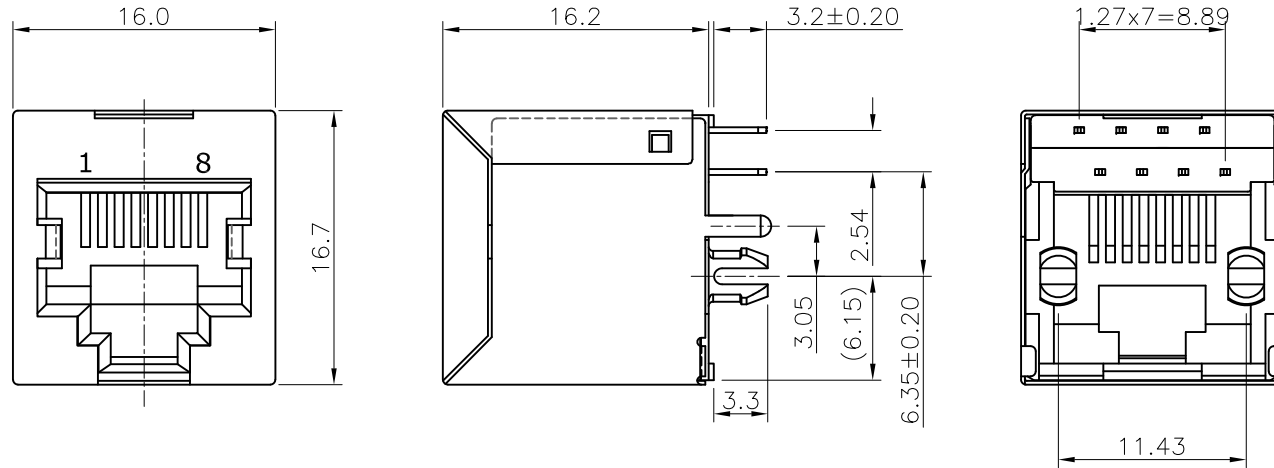


| | | | |
|---|-----------------|---------|------------|
| 1 | INITIAL RELEASE | JACK WU | 2018/09/21 |
| 2 | NEW FORM | JACK WU | 2020/06/09 |
| 3 | | | |

SPECIFICATION:

1. Current Rating: 1.5A
2. Voltage Rating: 125V AC.
3. Contact Resistance: 35mΩ Max.
4. Insulation Resistance: 1000MΩ @ 500 VDC.
5. Dielectric Strength: 1000 VAC 60Hz, 1MIN.
6. Operating Life: 750 Cycles Min.
7. PCB Retention Pre-Solder: 1 LB Min.
8. PCB Retention Post-Solder: 10 LBS Min.
9. Operation Temperature: -40°C TO 85°C
10. Mates With Modular Plug Conforming to TIA-1096-A.



RECOMMENDED P.C.B LAYOUT

CATEGORY 6 CHARACTERISTIC

| Freguence | Near-End Cross Tale dB, MIN. | Return Loss dB, MIN. | Attenuation dB, MAX. |
|-----------|------------------------------|----------------------|----------------------|
| 1.0 MHZ | 75.0 | 35.5 | 0.1 |
| 4.0 MHZ | 75.0 | 35.5 | 0.1 |
| 10.0 MHZ | 74.0 | 35.5 | 0.1 |
| 16.0 MHZ | 69.9 | 35.5 | 0.1 |
| 25.0 MHZ | 66.0 | 35.5 | 0.1 |
| 31.25 MHZ | 64.1 | 34.1 | 0.1 |
| 62.5 MHZ | 58.1 | 28.1 | 0.1 |
| 100.0 MHZ | 54.0 | 24.0 | 0.2 |
| 200.0 MHZ | 48.0 | 18.0 | 0.3 |
| 250.0 MHZ | 46.0 | 16.0 | 0.3 |

| | | |
|----|---------|---|
| 3. | SHIELD | Copper Alloy, T=0.2mm |
| 2. | CONTACT | Phosphor Bronze , Gold Flash Plated at Contact Area |
| 1. | HOUSING | Hi-Temp Plastic, UL94 V-0 |

| NO. | PART NAME | DESCRIPTION |
|---|-----------|--|
| DIMENSIONS : mm TOLERANCES UNLESS OTHERWISE SPECIFIED : X. ± 0.30 X.X ± 0.20 X.XX ± 0.10 ANGLES ± 3° | | |
| SCALE 1 : 1 SHEET 1/1 SIZE A4 CUSTOMER DRAWING | | Chunxin Technology NAME DWN JACK WU 20180921 CHK PETER WANG 20180921 APVD SIMON LI 20180921 PRODUCT No. CX3-RJS205-81 DRAWING No. HI-RJS005 |

Chunxin Technology
 NAME
 DWN JACK WU 20180921
 CHK PETER WANG 20180921
 APVD SIMON LI 20180921
 PRODUCT No. CX3-RJS205-81
 DRAWING No. HI-RJS005

RJ45 JACK CAT6, VERTICAL DIP, SHIELD TYPE

PRODUCT No. CX3-RJS205-81
 DRAWING No. HI-RJS005