

1	INITIAL RELEASE	JACK WU	2019/09/10
2	NEW FORM	JACK WU	2020/04/18
3			

**SPECIFICATION:**

1. Current Rating: 0.5A
2. Insulator Resistance: 500M Ω Min.
3. Withstanding Voltage: 500V AC
4. Contact Resistance: 100m Ω Max.
5. Durability: 10,000 Cycles Min.
6. Operating Temperature : -25°C ~ +85°C

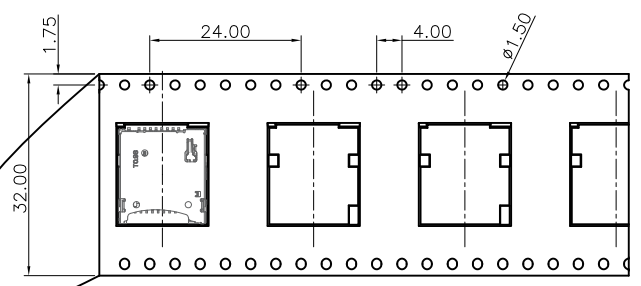
Open / Close of Switch	Card Detect Switch
Card Uninsertion	OPEN
Card Half Insertion	OPEN
Card Insertion	CLOSE
N/O	

Pin No.	Pin Assignment	Pin No.	Pin Assignment
Pin 1	DAT2	Pin 13	GND
Pin 2	CD / DAT3	Pin 14	GND
Pin 3	CMD	Pin 15	VDD2
Pin 4	VDD1	Pin 16	SWIO
Pin 5	CLK	Pin 17	VSS
Pin 6	VSS	Pin 18	DO+
Pin 7	DAT0 / RCLK	Pin 19	DO-
Pin 8	DAT1 / RCLK	Pin 20	VSS
Pin 9	CD	Pin 21	D1-
Pin 10	GND	Pin 22	D1+
Pin 11	GND	Pin 23	VSS
Pin 12	GND		

3.	SHELL	Stainless
2.	CONTACT	Copper Alloy, Gold Plating on Contact Area
1.	HOUSING	High Temperature Thermoplastic
NO.	PART NAME	DESCRIPTION
DIMENSIONS : mm		<p style="text-align: center;"><b>Chunxin Technology</b></p> <p style="text-align: center;">NAME</p> <p style="text-align: center;">Micro SD 4.0Socket Push Push Type, Stand off 0.9mm</p>
SCALE	1 : 1	DWN JACK WU 20190910
SHEET	1/2	CHK PETER WANG 20190910
SIZE	A4	APVD SIMON LI 20190910
CUSTOMER DRAWING		SIMON LI 20190910
		PRODUCT No. CX1-MSD203-41
		DRAWING No. CS-MSD004

1	INITIAL RELEASE	JACK WU	2019/09/10
2	NEW FORM	JACK WU	2020/04/18
3			

USER DIRECTION OF UNREELING →



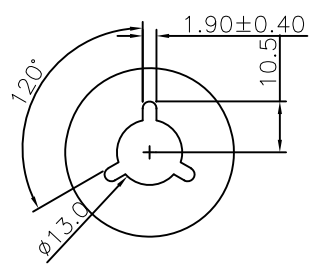
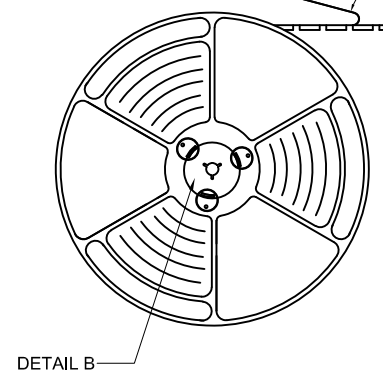
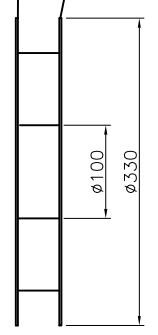
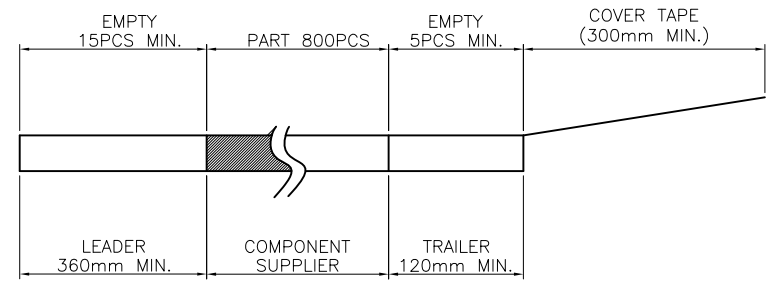
COVER TAPE PEELING ANGLE: 165°~180°  
PEELING FORCE: 20~130g

CARRIER TAPE

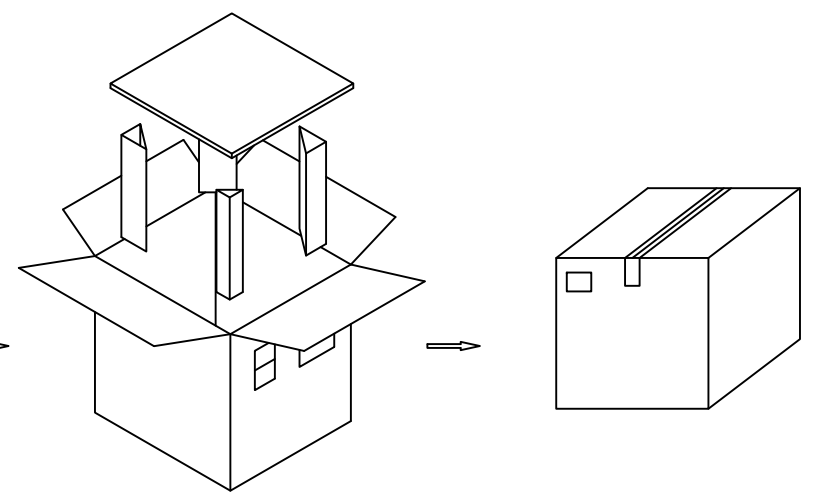
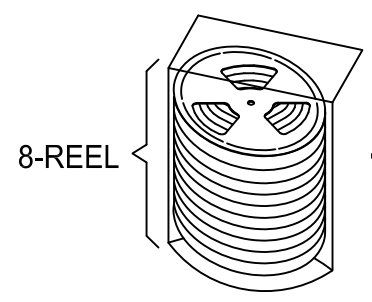
User Direction of Unreeling →

NOTES

1. NUMBER OF CONNECTORS : 800 PCS / REEL
2. LEAD TAPE LENGTH
3. QUANTITY : 6,400 PCS / CARTON



DETAIL B



NO.	PART NAME	DESCRIPTION
DIMENSIONS : mm		<b>Chunxin Technology</b> NAME Micro SD 4.0Socket Push Push Type, Stand off 0.9mm
TOLERANCES UNLESS OTHERWISE SPECIFIED :		PRODUCT No. CX1-MSD203-41 DRAWING No. CS-MSD004
X. ± 0.30		
X.X ± 0.20		
X.XX ± 0.10		
ANGLES ± 3°		
SCALE	DWN 20190910	
1 : 1	JACK WU	
SHEET	CHK 20190910	
2/2	PETER WANG	
SIZE	APVD 20190910	
A4	SIMON LI	
CUSTOMER DRAWING		