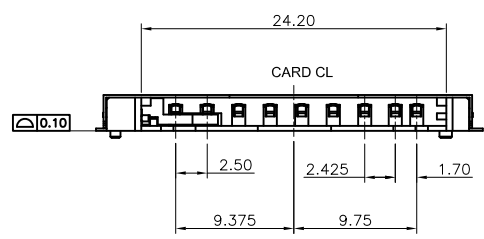
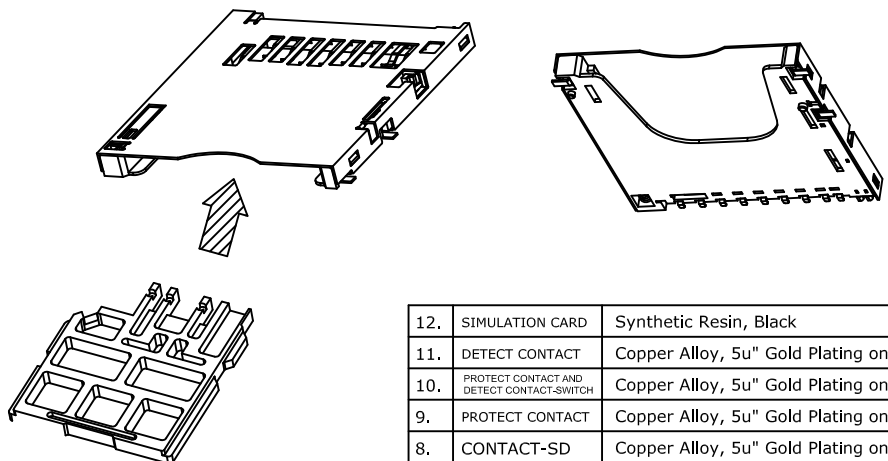
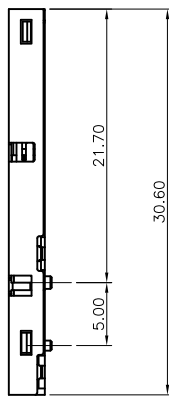
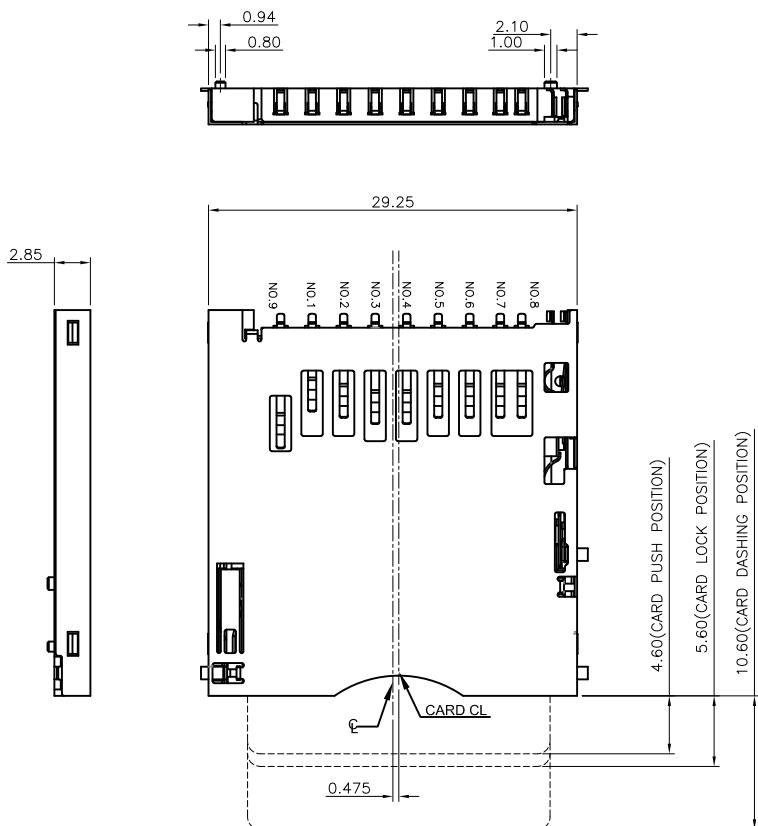


1	INITIAL RELEASE	JACK WU	2013/10/30
2	NEW FORM	JACK WU	2020/04/12
3			

SPECIFICATION:

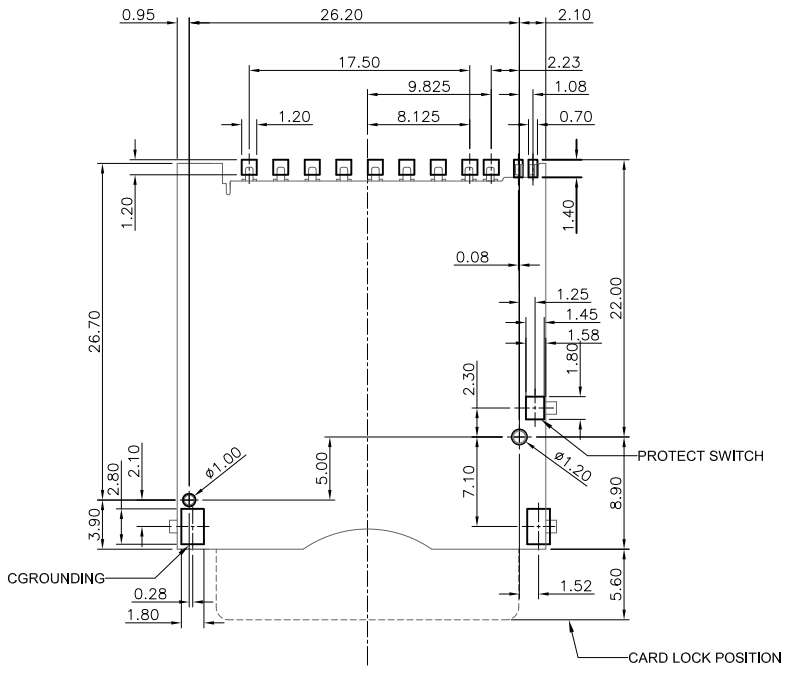
1. Current Rating: 0.5A
2. Insulator Resistance: 1000M Ω Min.
3. Withstanding Voltage: 500V AC
4. Contact Resistance : 100m ohms Max.
5. Durability: 10,000 Cycles Min.



12.	SIMULATION CARD	Synthetic Resin, Black
11.	DETECT CONTACT	Copper Alloy, 5u" Gold Plating on Contact Area
10.	PROTECT CONTACT AND DETECT CONTACT-SWITCH	Copper Alloy, 5u" Gold Plating on Contact Area
9.	PROTECT CONTACT	Copper Alloy, 5u" Gold Plating on Contact Area
8.	CONTACT-SD	Copper Alloy, 5u" Gold Plating on Contact Area
7.	SPRING	SWP
6.	SLIDER CAM	Synthetic Resin, Black
5.	CARD LOCK	Stainless
4.	CAM PIN	Stainless
3.	HOLDDOWN	Copper Alloy, Tin Plating on Solder Tail Area
2.	SHELL	Stainless
1.	HOUSING	Synthetic Resin, Black

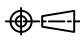
NO.	PART NAME	DESCRIPTION
DIMENSIONS : mm TOLERANCES UNLESS OTHERWISE SPECIFIED : X. ± 0.30 X.X ± 0.20 X.XX ± 0.10 ANGLES ± 3°		
SCALE 1 : 1 SHEET 1/3 SIZE A4 CUSTOMER DRAWING		Chunxin Technology NAME SD Socket Reverse Push Push Type PRODUCT No. CX1-SD201-21 DRAWING No. CS-SD001

1	INITIAL RELEASE	JACK WU	2013/10/30
2	NEW FORM	JACK WU	2020/04/12
3			

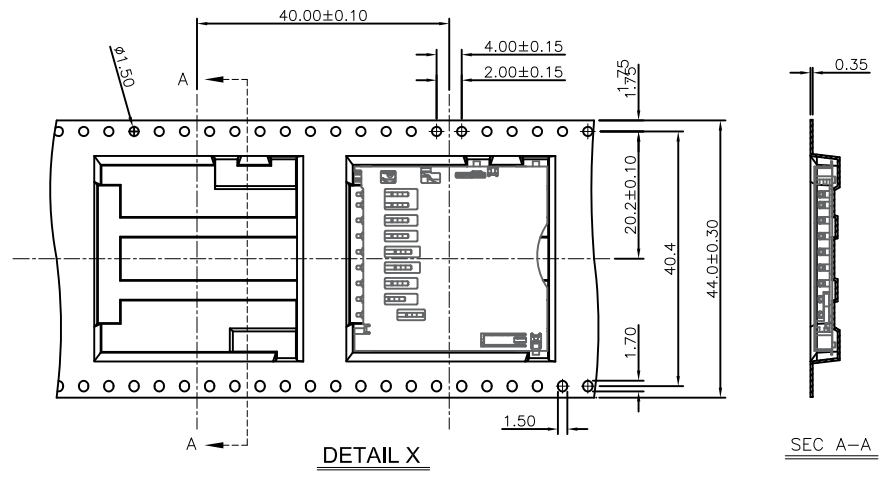
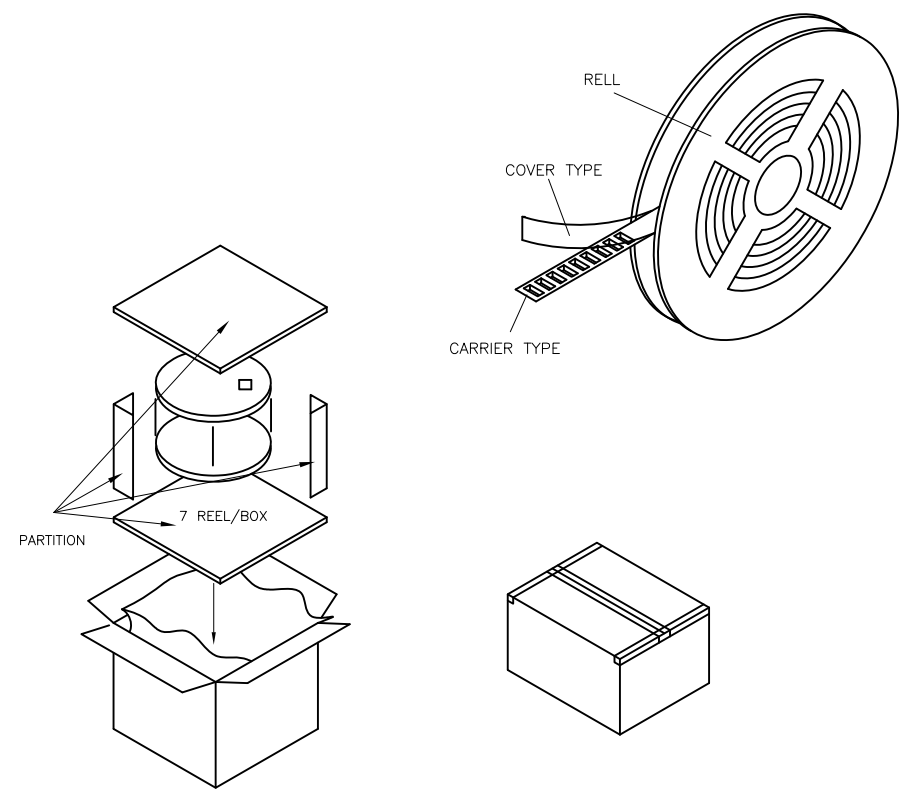
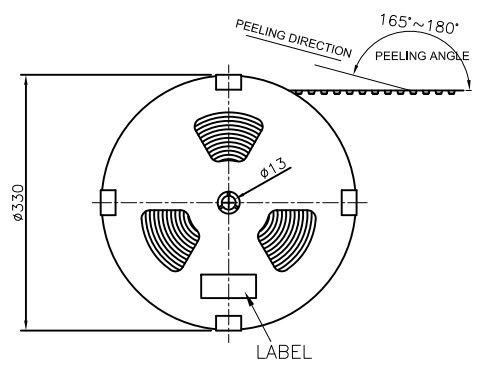
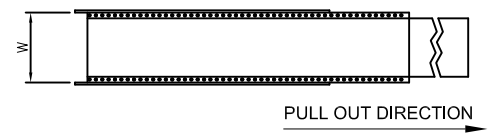
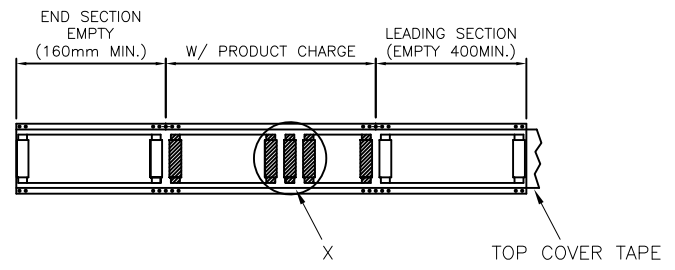


RECOMMENDED P.C.B LAYOUT
ALL TOLERANCE $\pm 0.05\text{mm}$

CARD INSERTION STATUS	WRITE PROTECT SWITCH		DETECT SWITCH
	WRITE PROTECT POSITION	WRITE ENABLE POSITION	
CARD UNINSERTION	OPEN	OPEN	OPEN
CARD HALF INSERTION	COLSE	COLSE	OPEN
CARD INSERTION	OPEN	COLSE	COLSE

NO.	PART NAME	DESCRIPTION
DIMENSIONS : mm		Chunxin Technology NAME SD Socket Reverse Push Push Type
 TOLERANCES UNLESS OTHERWISE SPECIFIED : X. ± 0.30 X.X ± 0.20 X.XX ± 0.10 ANGLES $\pm 3^\circ$		
SCALE	DWN 20131030	
1 : 1	JACK WU	
SHEET	CHK 20131030	
2/3	PETER WANG	
SIZE	APVD 20131030	PRODUCT No. CX1-SD201-21
A4	SIMON LI	DRAWING No. CS-SD001
CUSTOMER DRAWING		

1	INITIAL RELEASE	JACK WU	2013/10/30
2	NEW FORM	JACK WU	2020/04/12
3			



- NOTES:
1. BOX : 350mm x 350mm x 350mm
 2. PACKING : 300 PCS/Reel ; 7 Reel/Box

NO.	PART NAME	DESCRIPTION
DIMENSIONS : mm		TOLERANCES UNLESS OTHERWISE SPECIFIED :
		X, ± 0.30
		X.X, ± 0.20
		X.XX, ± 0.10
		ANGLES ± 3°
SCALE	DWN	20131030
X : X	JACK WU	20131030
SHEET	CHK	20131030
3/3	PETER WANG	
SIZE	APVD	20131030
A4	SIMON LI	
CUSTOMER DRAWING		PRODUCT No. CX1-SD201-21
		DRAWING No. CS-SD001

Chunxin Technology
NAME
SD Socket Reverse Push Push Type