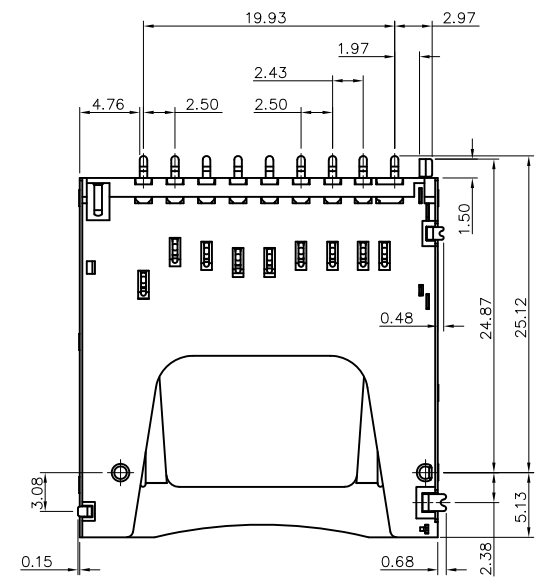
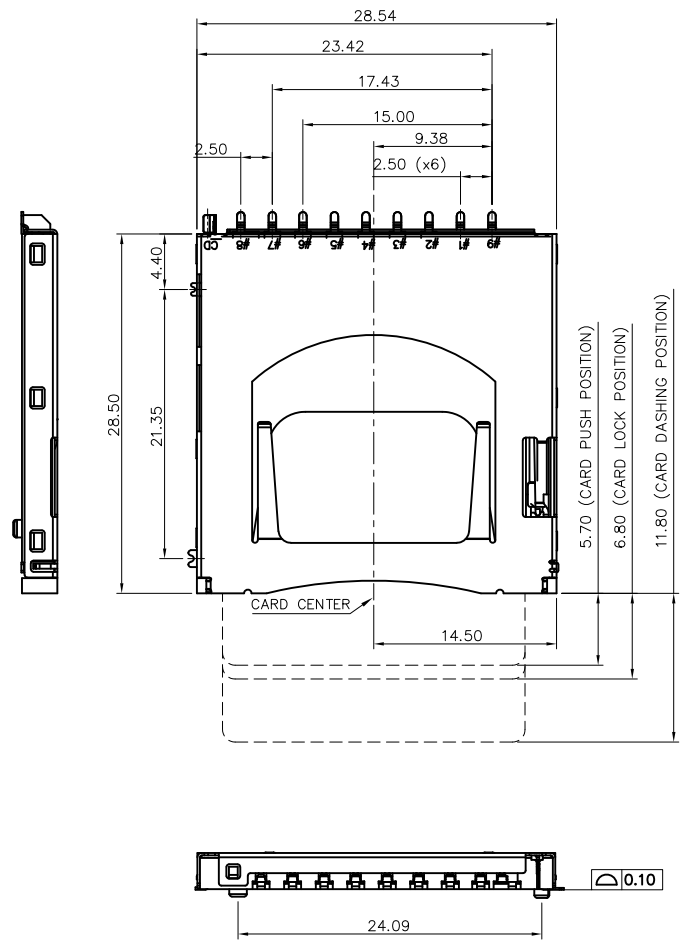


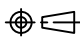
1	INITIAL RELEASE	JACK WU	2011/06/03
2	NEW FORM	JACK WU	2020/04/14
3			

SPECIFICATION:

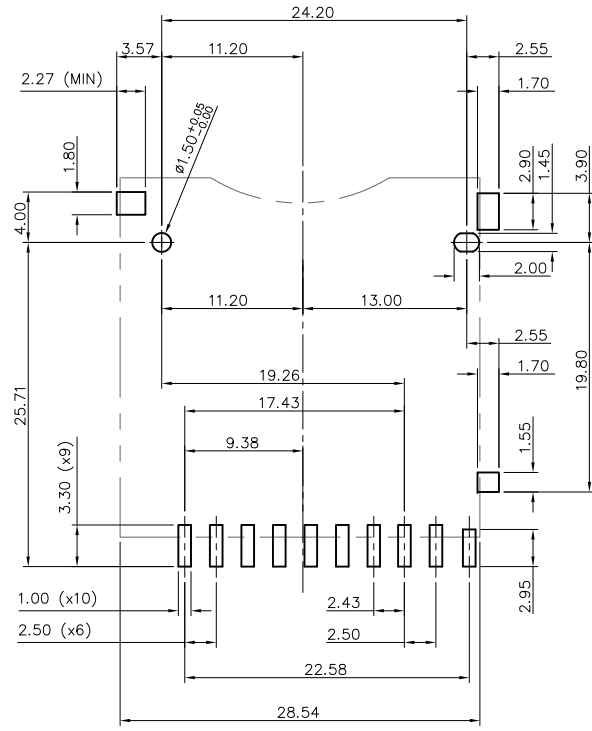
1. Current Rating: 0.5A
2. Insulator Resistance: 1000M Ω Min.
3. Withstanding Voltage: 500V AC
4. Contact Resistance : 100m ohms Max.
5. Durability: 10,000 Cycles Min.
6. Operating Temperature : -35°C ~ +85°C



10.	GND CONTACT	Copper Alloy, TIN Plating
9.	SW CONTACT	Copper Alloy, 5u" Gold Plating on Contact Area
8.	PROTECT CONTACT	Copper Alloy, 5u" Gold Plating on Contact Area
7.	DETECT CONTACT	Copper Alloy, 5u" Gold Plating on Contact Area
6.	SPRING	SWP
5.	CAM PIN	Stainless
4.	SLIDER CAM	Synthetic Resin, Black
3.	CONTACT-SD	Copper Alloy, 5u" Gold Plating on Contact Area
2.	SHELL	Stainless
1.	HOUSING	Synthetic Resin, Black
NO.	PART NAME	DESCRIPTION

DIMENSIONS : mm		TOLERANCES UNLESS OTHERWISE SPECIFIED :		<p style="text-align: center;">Chunxin Technology</p> NAME SD Socket Push Push Type
		X	± 0.30	
SCALE		DWN	20110603	PRODUCT No. CX1-SD203-21 DRAWING No. CS-SD003
1 : 1		CHK	JACK WU 20110603	
SHEET 1/3		CHK	PETER WANG	
SIZE A4		APVD	SIMON LI 20110603	
CUSTOMER DRAWING				

1	INITIAL RELEASE	JACK WU	2011/06/03
2	NEW FORM	JACK WU	2020/04/14
3			



PIN DEFINE

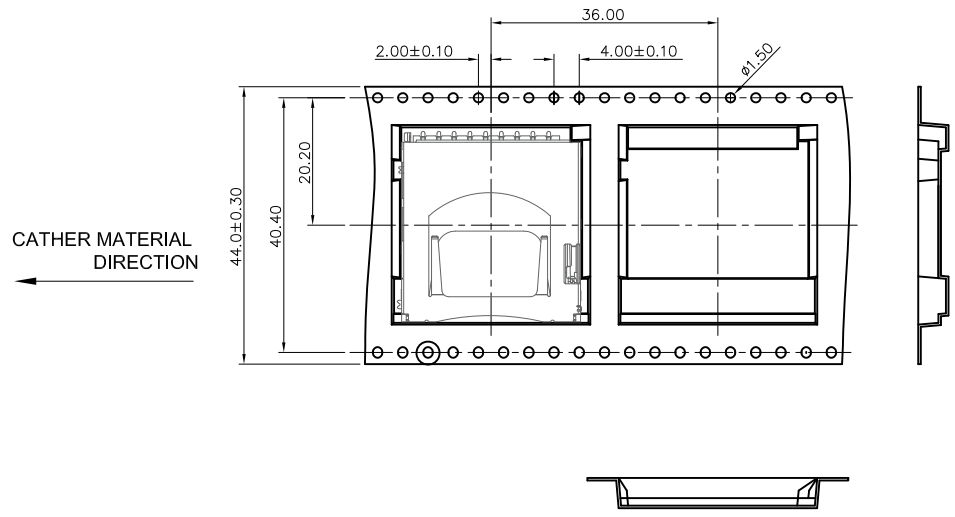
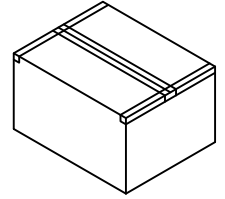
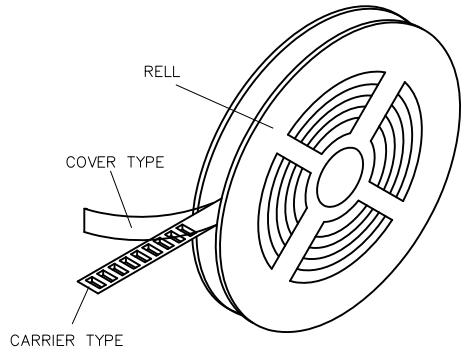
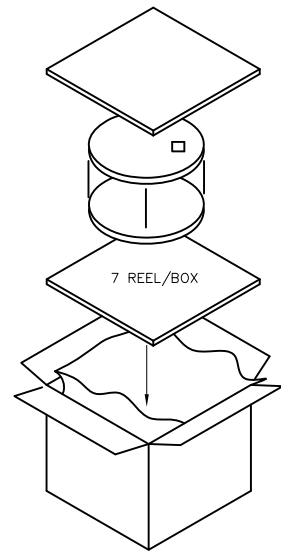
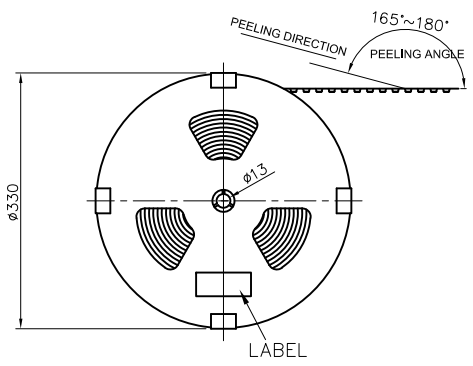
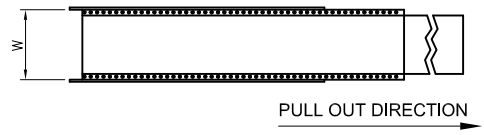
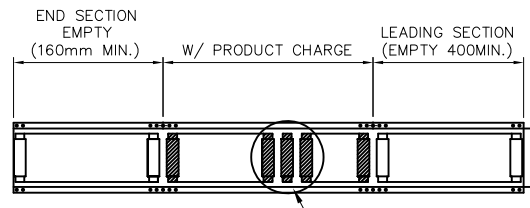
PAD NO.	MEMORY CARD
SD-01	SD-CD/DAT3
SD-02	SD-CMD
SD-03	SD-VSS
SD-04	SD-VDD
SD-05	SD-CLK
SD-06	SD-VSS
SD-07	SD-DAT0
SD-08	SD-DAT1
SD-09	SD-DAT2

POSITION OF CARD	WITHOUT CARD	CARD INSERTED WRITE PROTECT : LOCK	CARD INSERTED WRITE PROTECT : UNLOCK
CIRCUIT			

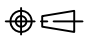
RECOMMENDED P.C.B LAYOUT
ALL TOLERANCE ±0.02mm

NO.	PART NAME	DESCRIPTION
		<p>Chunxin Technology</p> <p>NAME</p> <p>SD Socket Push Push Type</p>
DIMENSIONS : mm	TOLERANCES UNLESS OTHERWISE SPECIFIED :	
	X, ±0.30	
	X.X, ±0.20	
	X.XX, ±0.10	
	ANGLES, ±3°	
SCALE 1 : 1	DWN JACK WU	20110603
SHEET 2/3	CHK PETER WANG	20110603
SIZE A4	APVD SIMON LI	20110603
CUSTOMER DRAWING		PRODUCT No. CX1-SD203-21
		DRAWING No. CS-SD003

1	INITIAL RELEASE	JACK WU	2011/06/03
2	NEW FORM	JACK WU	2020/04/14
3			



- NOTES:
- BOX : 350mm x 350mm x 350mm
 - PACKING : 350 PCS/Reel ; 7 Reel/Box

NO.	PART NAME	DESCRIPTION
DIMENSIONS : mm		Chunxin Technology NAME SD Socket Push Push Type
 TOLERANCES UNLESS OTHERWISE SPECIFIED : X. ± 0.30 X.X ± 0.20 X.XX ± 0.10 ANGLES ± 3°		
SCALE	DWN JACK WU 20110603	PRODUCT No. CX1-SD203-21 DRAWING No. CS-SD003
SHEET	CHK PETER WANG 20110603	
SIZE	APVD SIMON LI 20110603	
CUSTOMER DRAWING		