

PCB LAYOUT (RECOMMENDED)
(Tol: ±0.05)

1	INITIAL RELEASE	JACK WU	2015/02/03
2	NEW FORM	JACK WU	2020/05/22
3			

SPECIFICATION:

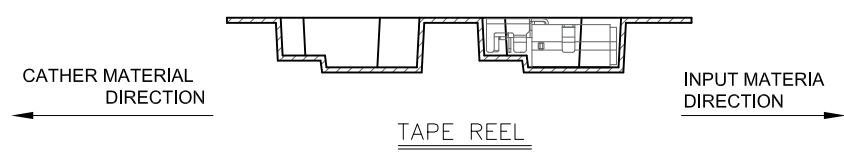
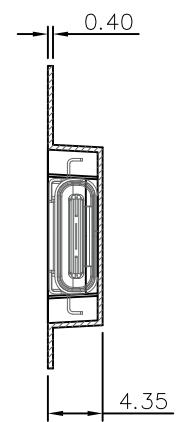
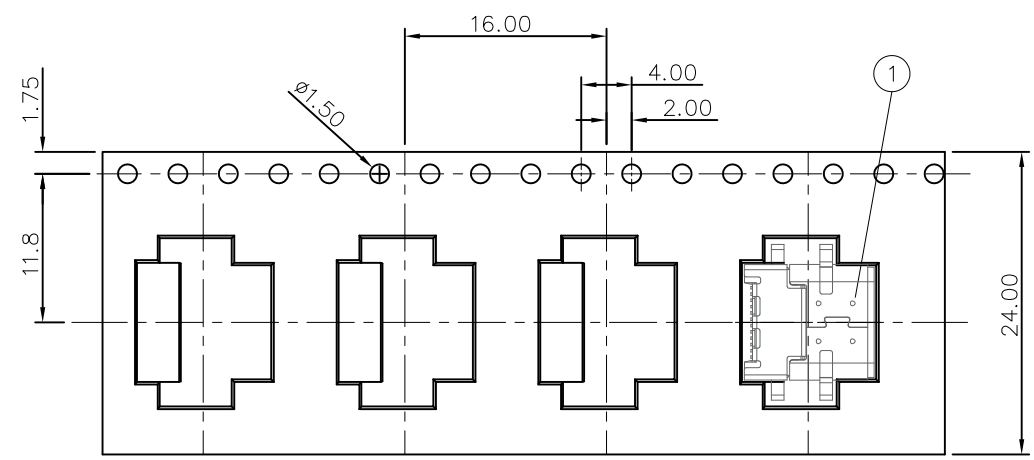
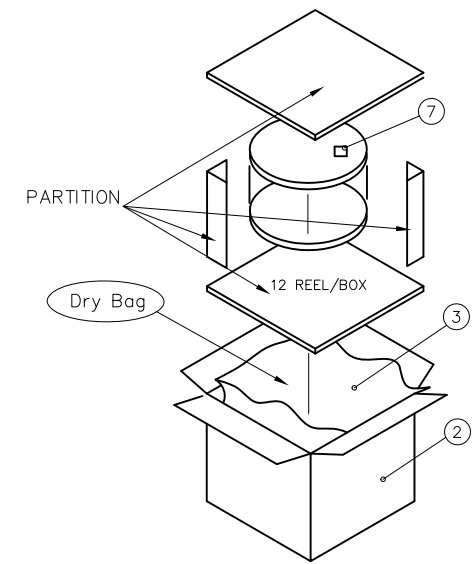
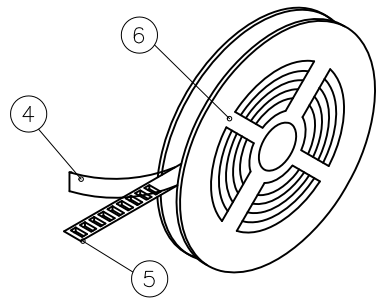
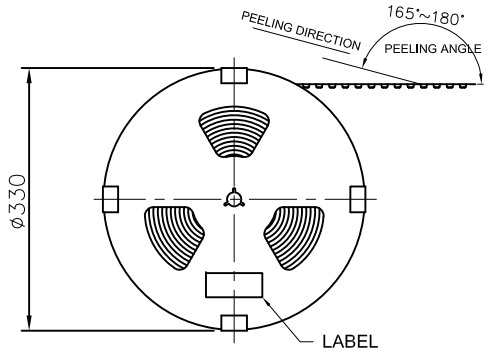
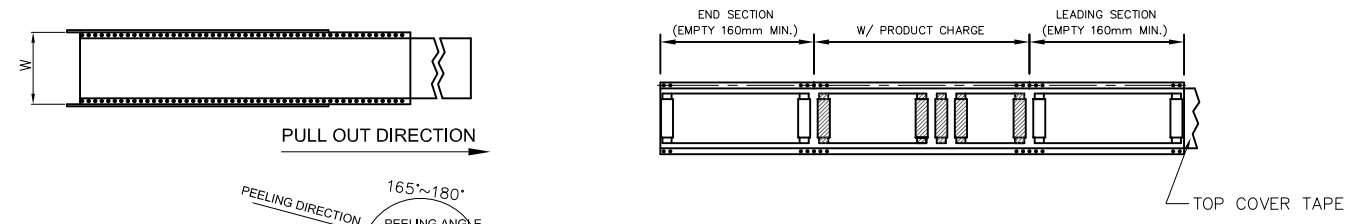
1. Current Rating: 1.5A
2. Insulator Resistance: 100M ohms Min.
3. Withstanding Voltage: 100 VAC / Minute
4. Contact Resistance : 40m ohms Max.
5. Mating Force : 5~20N Max.
6. Unmating Force : 8~20N Min.
7. Durability: 10,000 Cycles Min.

	Signal Name		Signal Name
A1	GND	B12	GND
A2	SSTXp1	B11	SSRXp1
A3	SSTXn1	B10	SSRXn1
A4	VBUS	B9	VBUS
A5	CC1	B8	SBU2
A6	Dp1	B7	Dn2
A7	Dn1	B6	Dp2
A8	SBU1	B5	CC2
A9	VBUS	B4	VBUS
A10	SSRXn2	B3	SSTXn2
A11	SSRXp2	B2	SSTXp2
A12	GND	B1	GND

10.	SHELL-2	STAINLESS, Ni 50u"
9.	GND Plate-bottom	STAINLESS, Ni 50u"
8.	Shield SHELL	STAINLESS, Ni 50u"
7.	Shield SHELL	STAINLESS, Tin 80u"
6.	12Pin CONTACT-SMT	COPPER ALLOY, Contact Area : Gold Flash
5.	12Pin CONTACT-DIP	COPPER ALLOY, Contact Area : Gold Flash
4.	SHELL-1	STAINLESS, Ni 50u"
3.	INSERT MOLDING-2 12PIN	SYNTHETIC RESIN, BLACK
2.	INSERT MOLDING-1 12PIN	SYNTHETIC RESIN, BLACK
1.	MOLDING HOUSING	SYNTHETIC RESIN, BLACK

NO.	PART NAME	DESCRIPTION
DIMENSIONS : mm TOLERANCES UNLESS OTHERWISE SPECIFIED : X. ± 0.30 X.X ± 0.20 X.XX ± 0.10 ANGLES ± 3°		
		Chunxin Technology NAME
SCALE	DWN 20150203	
SHEET	CHK JACK WU 20150203	USB C Type, Receptacle, R/A Middle Mount, Hybrid Pin 0.5mm Pitch 24Pin
SIZE	APVD PETER WANG 20150203	
CUSTOMER DRAWING		PRODUCT No. CX3-UCF2404-21
		DRAWING No. HI-UC007

1	INITIAL RELEASE	JACK WU	2015/02/03
2	NEW FORM	JACK WU	2020/05/22
3			



NOTE:

- 1000PCS / Reel ; 12Reels/Carton
- 12,000 / Carton
- Carton : L x W x H :
355mm x 355mm x 355mm

NO.	PART NAME	DESCRIPTION
DIMENSIONS : mm		TOLERANCES UNLESS OTHERWISE SPECIFIED :
		X. ± 0.30 X.X ± 0.20 X.XX ± 0.10 ANGLES ± 3°
SCALE	DWN	20150203
1 : 1	JACK WU	20150203
SHEET	CHK	20150203
2/2	PETER WANG	
SIZE	APVD	20150203
A4	SIMON LI	
CUSTOMER DRAWING		PRODUCT No. CX3-UCF2404-21
		DRAWING No. HI-UC007

Chunxin Technology

NAME
USB C Type, Receptacle, R/A Middle Mount, Hybrid Pin 0.5mm Pitch 24Pin

PRODUCT No. CX3-UCF2404-21

DRAWING No. HI-UC007