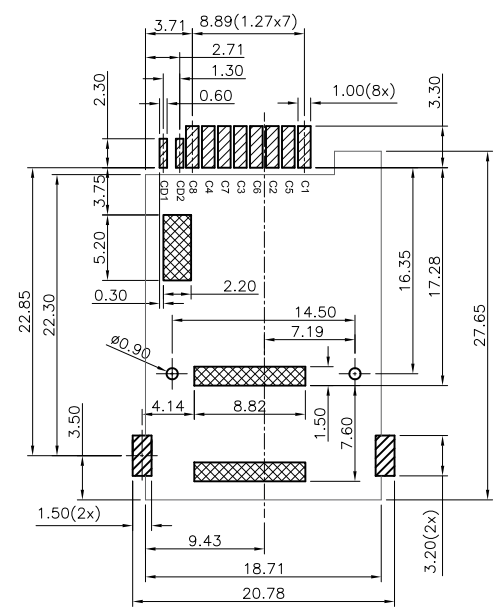
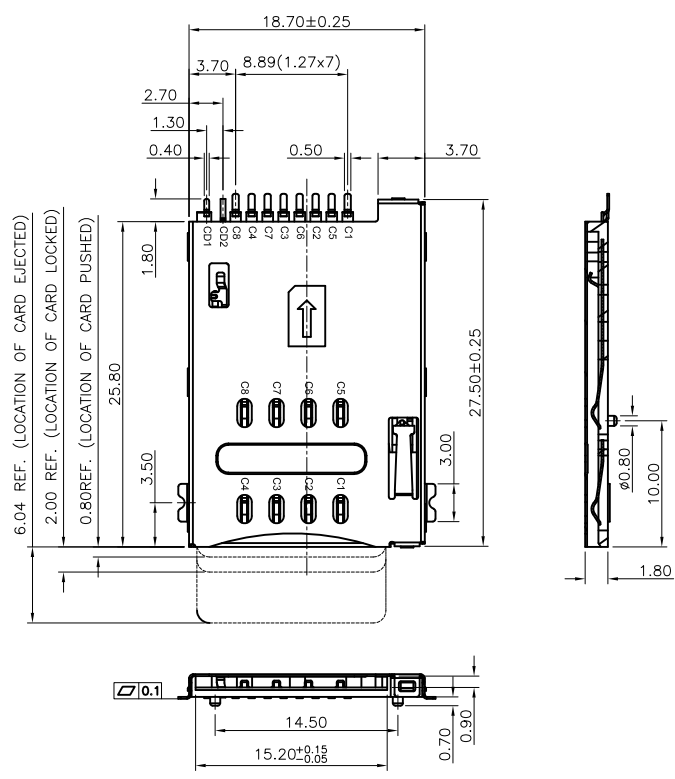


1	INITIAL RELEASE	JACK WU	2017/08/10
2	NEW FORM	JACK WU	2020/04/23
3			

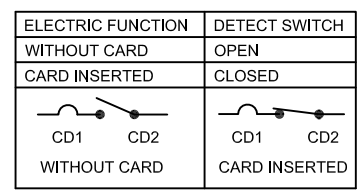
SPECIFICATION:

1. Current Rating: 0.5A
2. Voltage : 10V AC
3. Contact Resistance: 100mΩ Max.
4. Insulator Resistance: 1000MΩ Min.
5. Withstanding Voltage: 500V AC
6. Durability: 5,000 Cycles
7. Operating Temperature : -40°C ~ +85°C



RECOMMENDED P.C.B LAYOUT
 ALL TOLERANCE ±0.05mm

- PAD AREA
- KEEP AREA
- KEEP OUT AREA

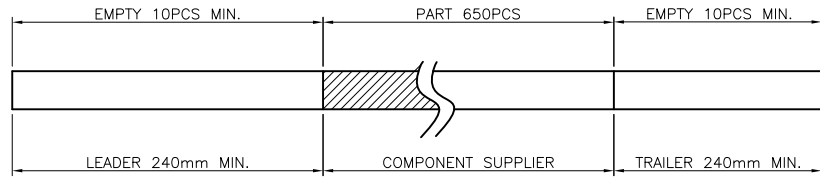


SWITCH OPERATION DIAGRAM

7.	CD2 SWITCH	Copper Alloy , Gold Plating on Contact Area
6.	CAM PIN	Stainless Steel
5.	COLL SPRING	SWP.
4.	HEART CAM	Hi-Temp Thermoplastic UL94v-0, Black
3.	SHELL	Stainless Steel , Gold Plated on Solder Area
2.	CONTACT	Copper Alloy , Gold Plating on Contact Area
1.	HOUSING	Hi-Temp Thermoplastic UL94v-0, Black

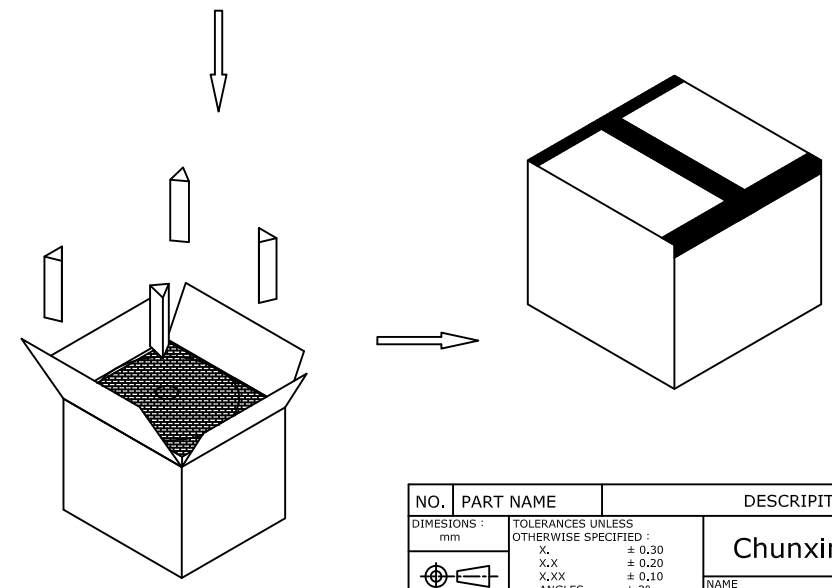
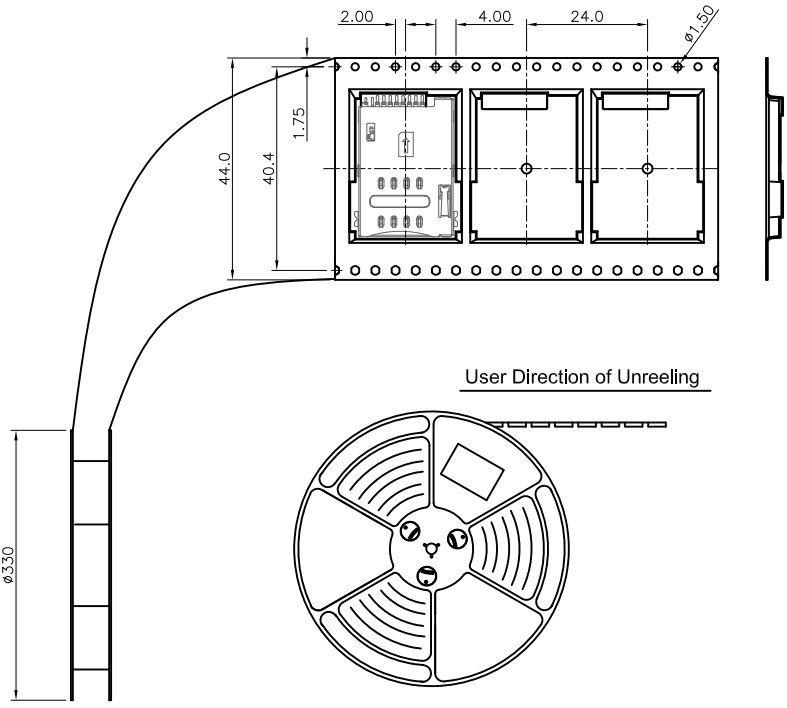
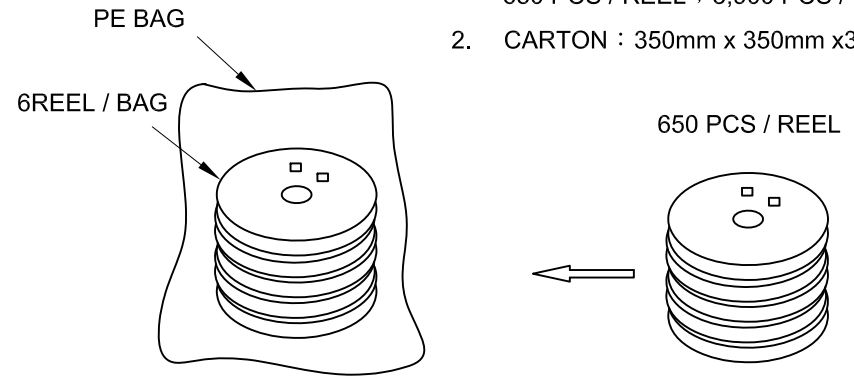
NO.	PART NAME	DESCRIPTION
DIMENSIONS : mm		<p>Chunxin Technology</p> <p>NAME</p> <p>SIM Socket Push Push Type, 8Pin w/SW, H=1.8mm</p>
<p>TOLERANCES UNLESS OTHERWISE SPECIFIED :</p> <p>X. ± 0.30</p> <p>X.X ± 0.20</p> <p>X.XX ± 0.10</p> <p>ANGLES ± 3°</p>		
SCALE	DWN	20170810
SHEET	CHK	JACK WU 20170810
SIZE	APVD	PETER WANG 20170810
CUSTOMER DRAWING	SIMON LI	20170810
PRODUCT No.		CX1-SM8202-41
DRAWING No.		CS-SIM002

1	INITIAL RELEASE	JACK WU	2017/08/10
2	NEW FORM	JACK WU	2020/04/23
3			



NOTES

- NUMBER OF CONNECTORS :
650 PCS / REEL ; 3,900 PCS / CARTON
- CARTON : 350mm x 350mm x340mm



NO.	PART NAME	DESCRIPTION
DIMENSIONS : mm		TOLERANCES UNLESS OTHERWISE SPECIFIED :
		X, ± 0.30
		X.X, ± 0.20
		X.XX, ± 0.10
		ANGLES ± 3°
SCALE	DWN	20170810
1 : X	JACK WU	20170810
SHEET	CHK	20170810
2/2	PETER WANG	
SIZE	APVD	20170810
A4	SIMON LI	
CUSTOMER DRAWING		PRODUCT No. CX1-SM8202-41
		DRAWING No. CS-SIM002

Chunxin Technology
NAME
SIM Socket Push Push Type,
8Pin w/SW, H=1.8mm