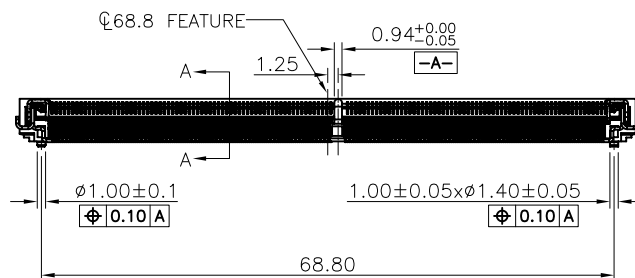


SECTION A-A  
SCALE 2 : 1

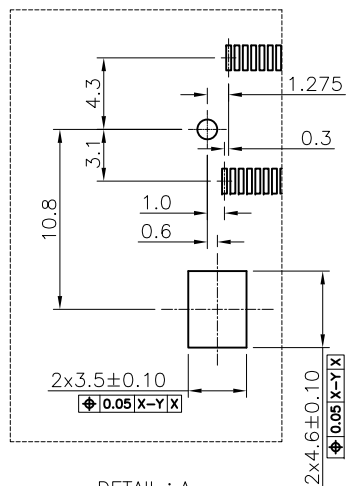
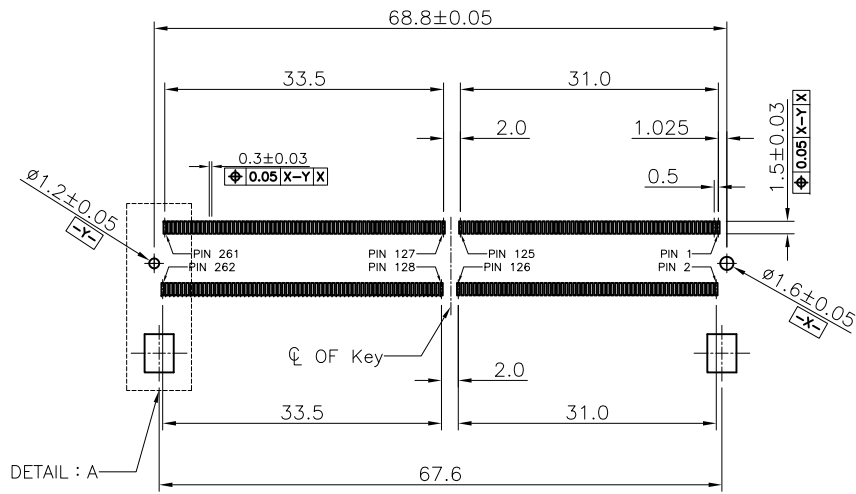
NOTE :  
DATE CODE : YYWWDLX

1. YY : YEAR (21 : 2021)
2. WW : WEEK (25 : The 25th Week)
3. D : DAY (1~7 Sunday~Saturday)
4. L : Line Number of Assembly (A : Line A)
5. X : Manufaire Code

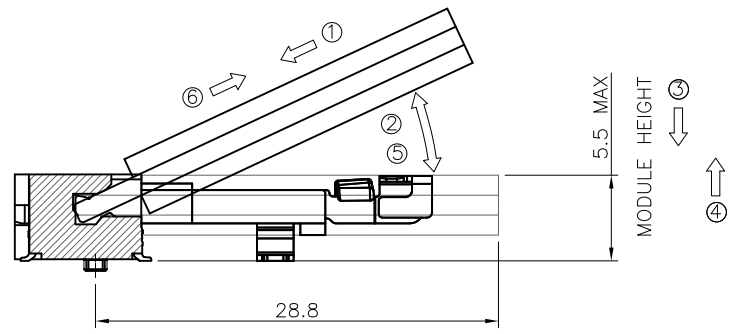


4	LATCH	Stainless Steel
3	SOLDER PEG	Stainless Steel, Tin Plating Entire Over
2	TERMINAL	Phosphor Bronze, Gold Flash on Contact Area Gold Flash on Solder tail
1	HOUSING	LCP, UL94V-0, Black
NO.	PART NAME	DESCRIPTION
DIMENSIONS : mm		TOLERANCES UNLESS OTHERWISE SPECIFIED :
		X, X ± 0.30 X, X ± 0.20 X, XX ± 0.10 ANGLES ± 3°
SCALE	DWN	20220223
SHEET	CHK	20220223
SIZE	APVD	20220223
CUSTOMER DRAWING		DRAWING No.
NAME		Chunxin Technology
SCALE		1 : 1
SHEET		1/4
SIZE		A4
PRODUCT No.		CX4-DR552A-171
DRAWING No.		CE-SOD29

1	INITIAL RELEASE	JACK WU	2022/02/23
2	NEW FORM	Ron Lo	2022/03/22
3			




DETAIL : A  
SCALE 2 : 1

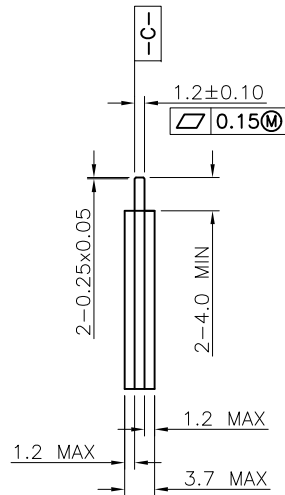
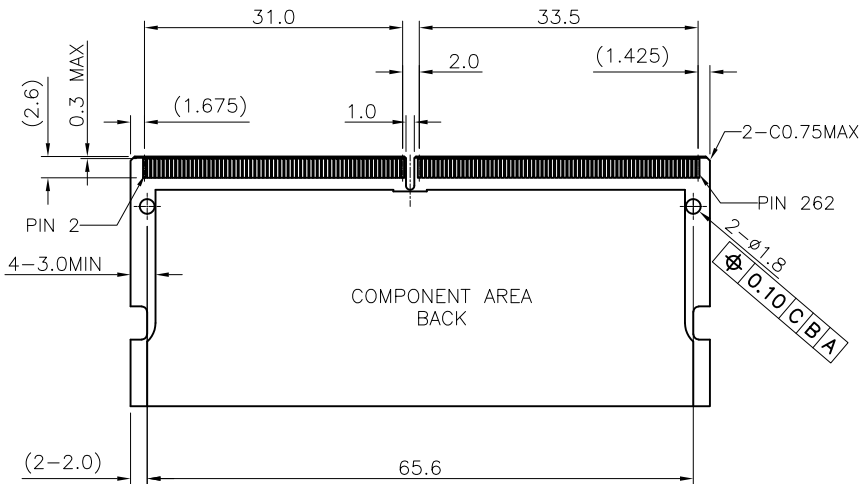
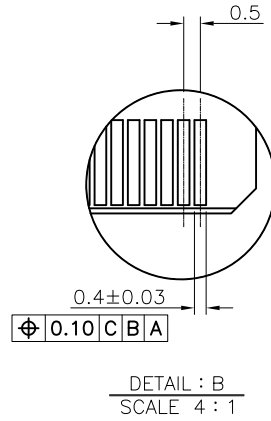
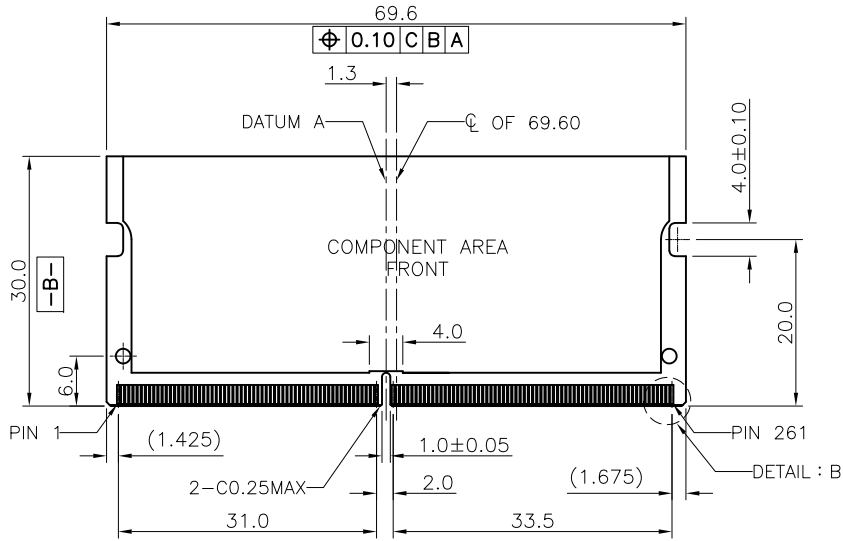


MATING/UNMATING VIEW  
SCALE 2 : 1

MATING : ① INSERTING(25°) → ② ROTATING → ③ FIXED  
UNMATING : ④ UNFIXED → ⑤ ROTATING → ⑥ WITHDRAWING

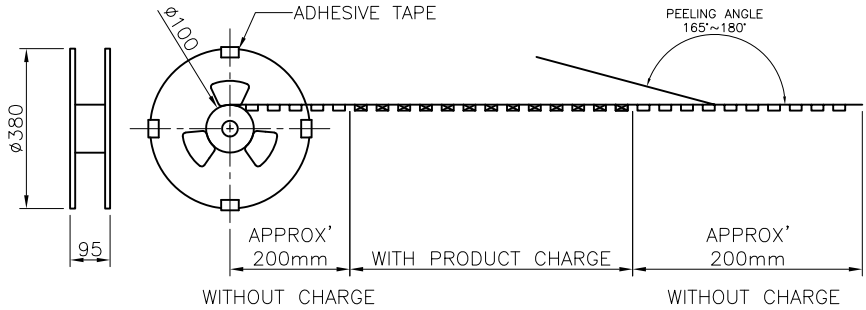
DIMENSIONS : mm		TOLERANCES UNLESS OTHERWISE SPECIFIED :		<b>Chunxin Technology</b> NAME	
		X	± 0.30		
SCALE	DWN	X,X	± 0.20	PRODUCT No. CX4-DR552A-171	
1 : 1	JACK WU	X,XX	± 0.10		
SHEET	CHK	ANGLES	± 3°	CUSTOMER DRAWING	
2/4	PETER WANG				
SIZE	APVD			CUSTOMER DRAWING	
A4	SIMON LI				
CUSTOMER DRAWING		CUSTOMER DRAWING		CUSTOMER DRAWING	

1	INITIAL RELEASE	JACK WU	2022/02/23
2	NEW FORM	Ron Lo	2022/03/22
3			

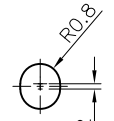
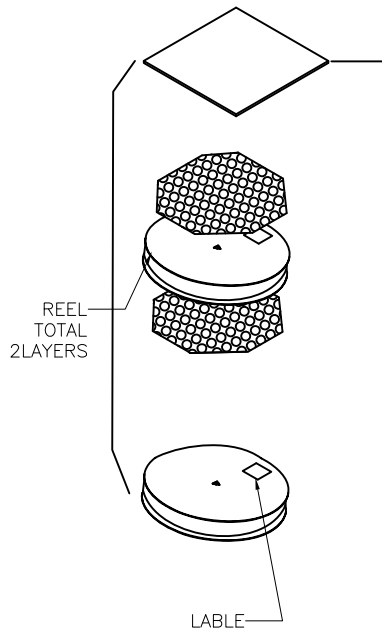
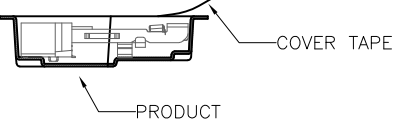
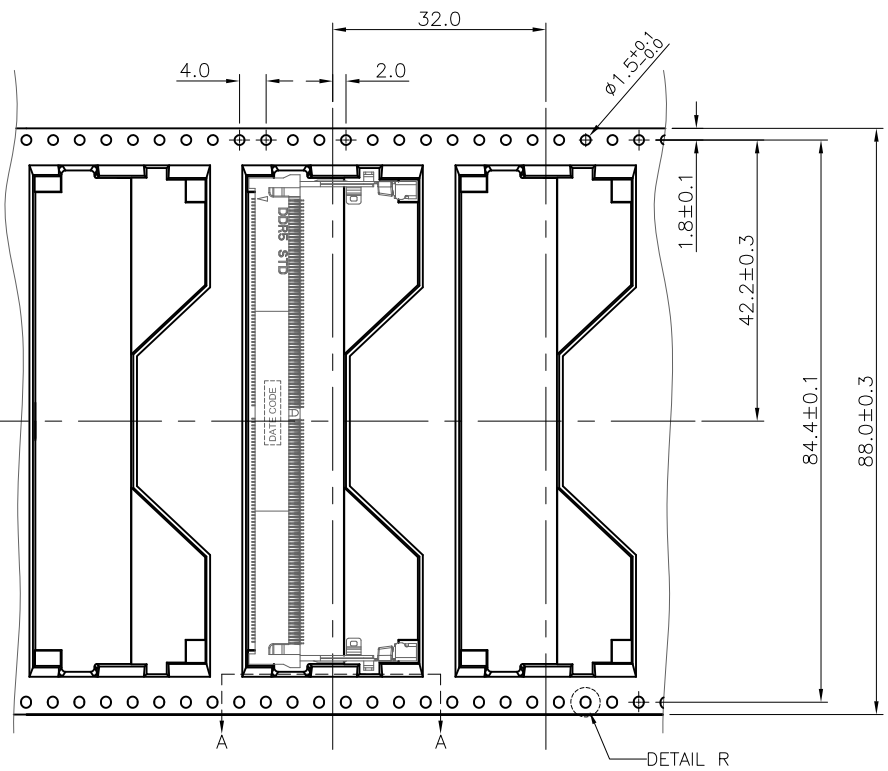


DIMENSIONS : mm		TOLERANCES UNLESS OTHERWISE SPECIFIED :		Chunxin Technology NAME	
$\phi$		X	± 0.30		
SCALE		X.X	± 0.20		
SHEET		X.XX	± 0.10		
SIZE		ANGLES	± 3°		
A4		APVD	20220223	PRODUCT No.	CX4-DR552A-171
CUSTOMER DRAWING		SIMON LI		DRAWING No.	CE-SOD29

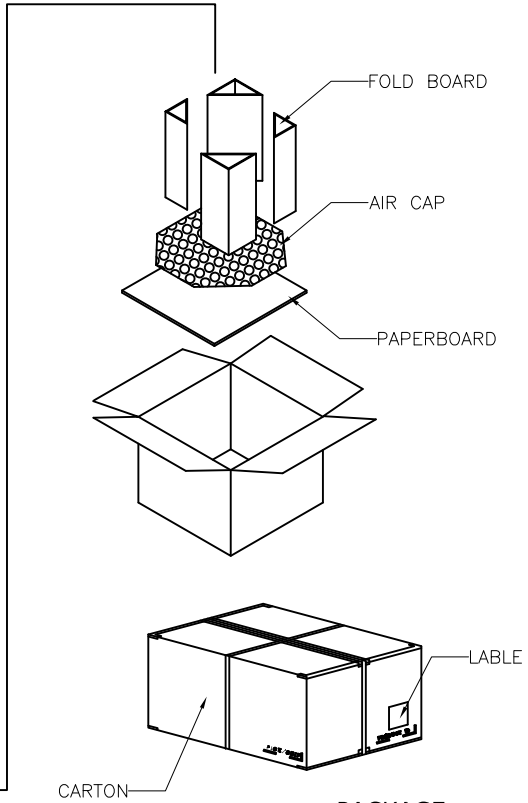
1	INITIAL RELEASE	JACK WU	2022/02/23
2	NEW FORM	Ron Lo	2022/03/22
3			



PULL OUT DIRECTION



DETAIL : R  
SCALE 4 : 1



- PACKAGE :
- 400 PCS / Reel
  - 2 Reel / Carton
  - 800 PCS / Carton

DIMENSIONS : mm		TOLERANCES UNLESS OTHERWISE SPECIFIED :		Chunxin Technology	
		X	$\pm 0.30$		
SCALE	DWN	X,X	$\pm 0.20$	SO-DIMM DDR5, Horizontal, Standard Type, 0.5mm Pitch, 262Pin, 5.2H	
SHEET	CHK	X,XX	$\pm 0.10$	PRODUCT No. CX4-DR552A-171	
SIZE	APVD	ANGLES	$\pm 3^{\circ}$	DRAWING No. CE-SOD29	
CUSTOMER DRAWING					

20220223	JACK WU
20220223	PETER WANG
20220223	SIMON LI