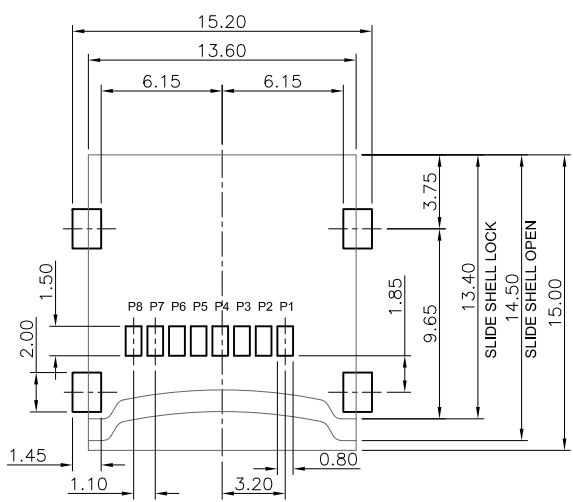
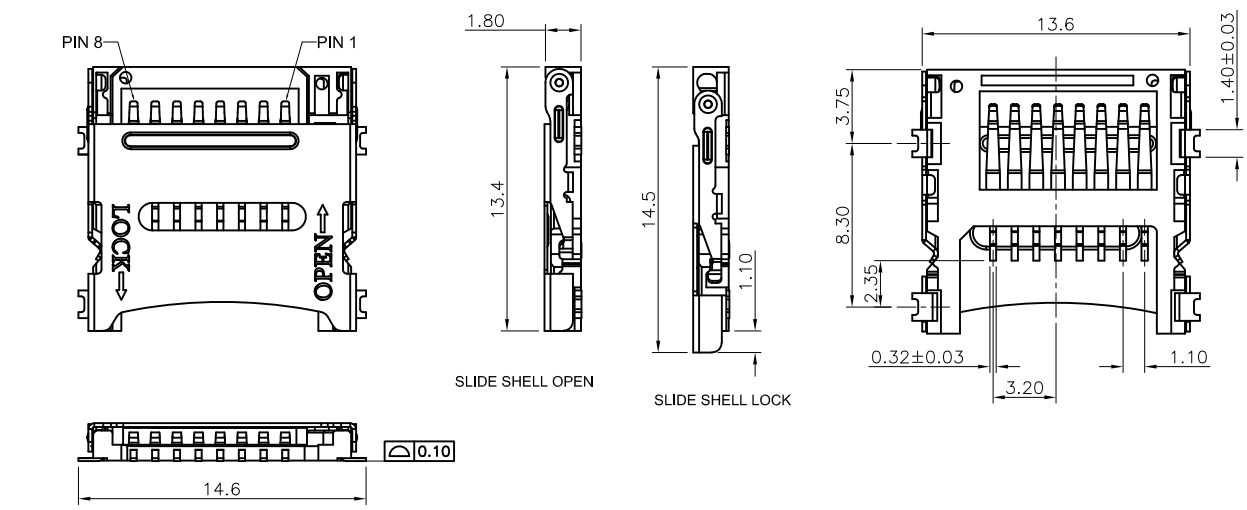


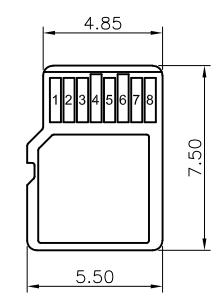
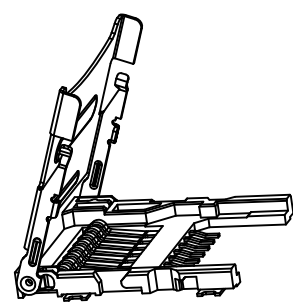
1	INITIAL RELEASE	JACK WU	2019/09/10
2	NEW FORM	JACK WU	2015/12/25
3			

SPECIFICATION:

1. Current Rating: 0.5A
2. Insulator Resistance: 1000M Ω Min.
3. Withstanding Voltage: 500V AC
4. Contact Resistance : 60m Ω Max.
5. Durability: 5,000 Cycles Min.
6. Operating Temperature : -25°C ~ +70°C



RECOMMENDED P.C.B LAYOUT
ALL TOLERANCE ±0.05mm

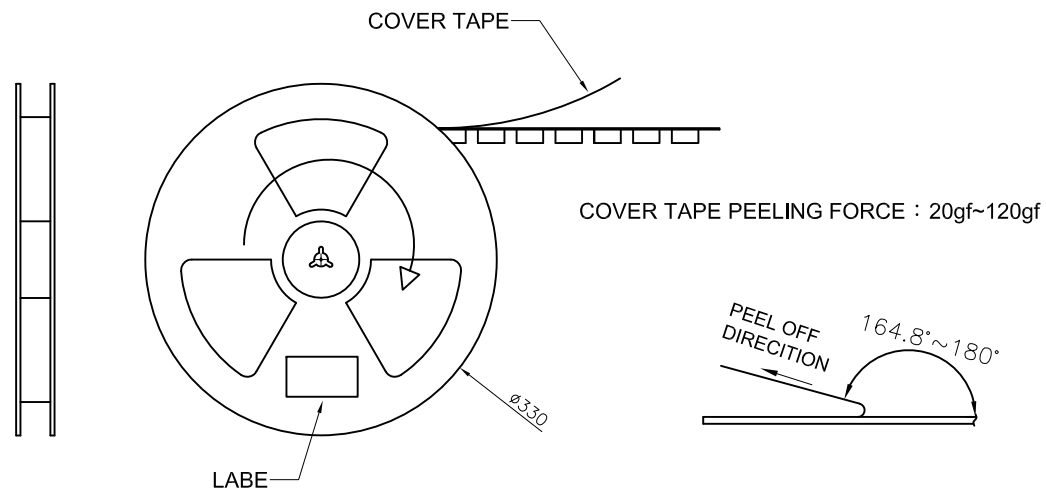
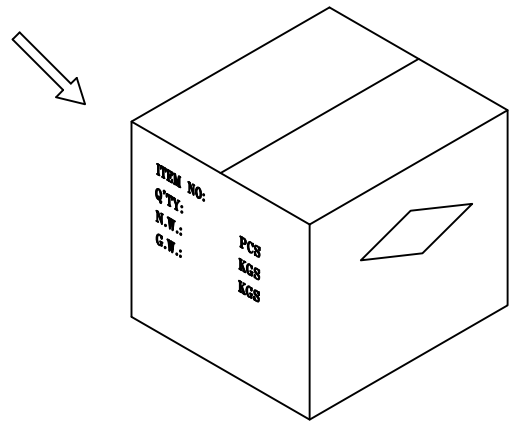
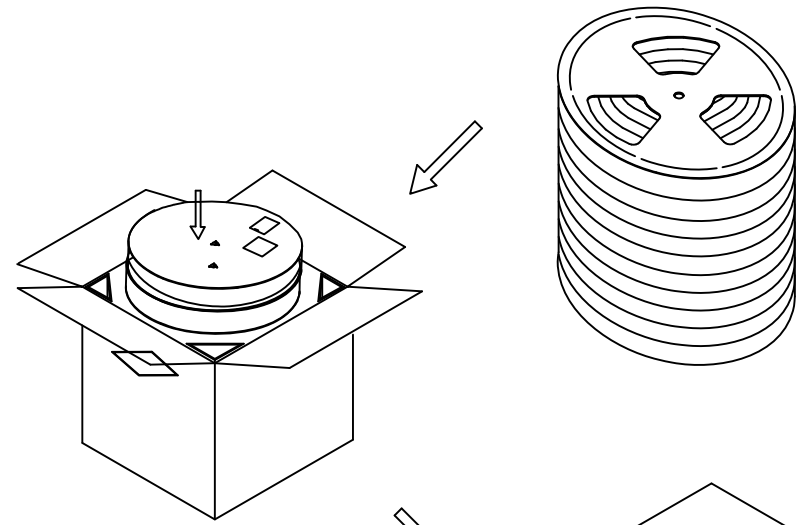
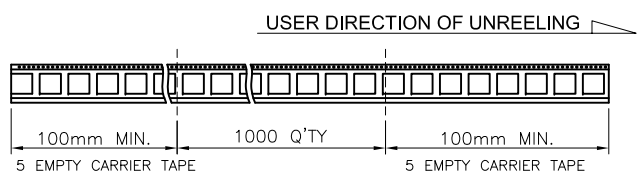
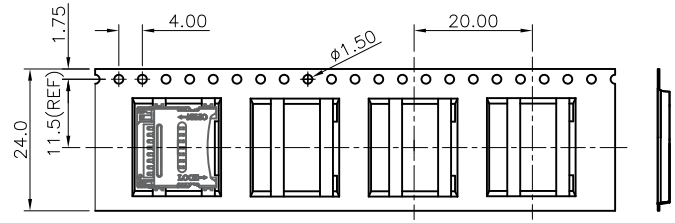


PIN1: DAT 2
PIN2: CD/DAT 3
PIN3: CMD
PIN4: VDD
PIN5: CLK
PIN6: USS 2
PIN7: DAT 0
PIN8: DAT 1

Micro SD CARD

3.	SHELL	Stainless
2.	CONTACT	Copper Alloy, Gold Plating on Contact Area
1.	HOUSING	High Temperature Thermoplastic
NO.	PART NAME	DESCRIPTION
DIMENSIONS : mm		<p>Chunxin Technology</p> <p>NAME</p> <p>Micro SD Socket, Hinge Type H=1.80 mm</p>
<p>TOLERANCES UNLESS OTHERWISE SPECIFIED :</p> <p>X. ± 0.30</p> <p>X.X ± 0.20</p> <p>X.XX ± 0.10</p> <p>ANGLES ± 3°</p>		
SCALE	1 : 1	DWN JACK WU 20151225
SHEET	1/2	CHK PETER WANG 20151225
SIZE	A4	APVD SIMON LI 20151225
CUSTOMER DRAWING		PRODUCT No. CX1-MSD301-41
		DRAWING No. CS-MSD005

1	INITIAL RELEASE	JACK WU	2019/09/10
2	NEW FORM	JACK WU	2015/12/25
3			



NOTES

1. NUMBER OF CONNECTORS : 1,000 PCS / REEL
2. QUANTITY : 10,000 PCS / CARTON
3. CARTON (L x W x H) : 350mm x 350 x 340mm

NO.	PART NAME	DESCRIPTION
DIMENSIONS : mm		Chunxin Technology NAME Micro SD Socket, Hinge Type H=1.80 mm
TOLERANCES UNLESS OTHERWISE SPECIFIED : X. ± 0.30 X.X ± 0.20 X.XX ± 0.10 ANGLES ± 3°		
SCALE	DWN JACK WU 20190910	PRODUCT No. CX1-MSD301-41
1 : 1	CHK PETER WANG 20190910	
SHEET	2/2 PETER WANG	DRAWING No. CS-MSD005
SIZE	A4 APVD SIMON LI 20190910	
CUSTOMER DRAWING		