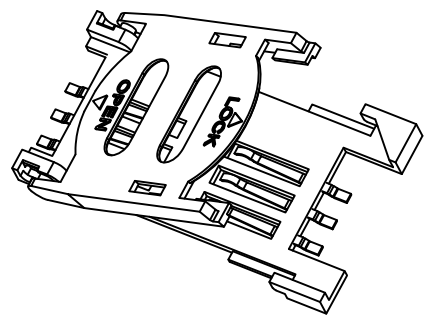
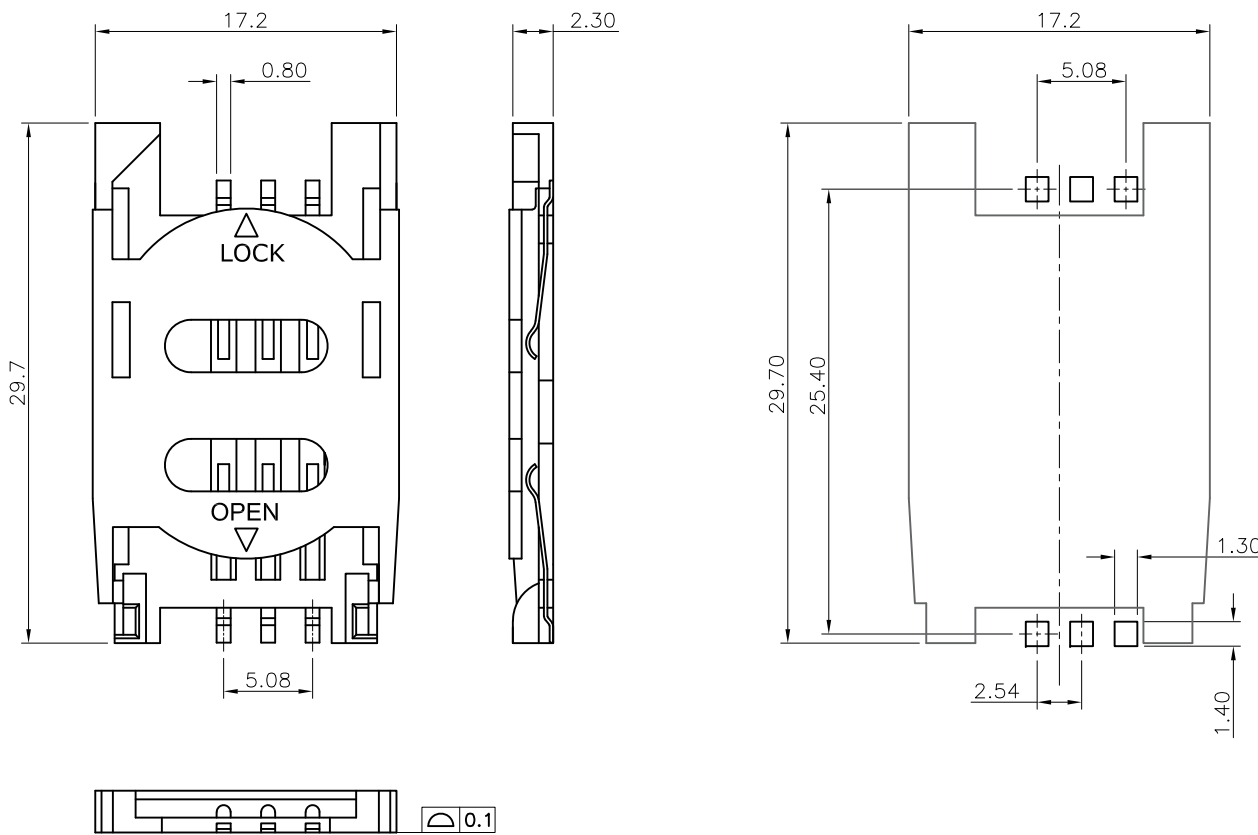


| | | | |
|---|-----------------|---------|------------|
| 1 | INITIAL RELEASE | JACK WU | 2009/09/22 |
| 2 | NEW FORM | JACK WU | 2020/05/01 |
| 3 | | | |

SPECIFICATION:

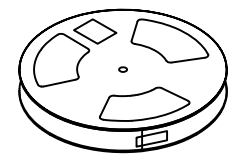
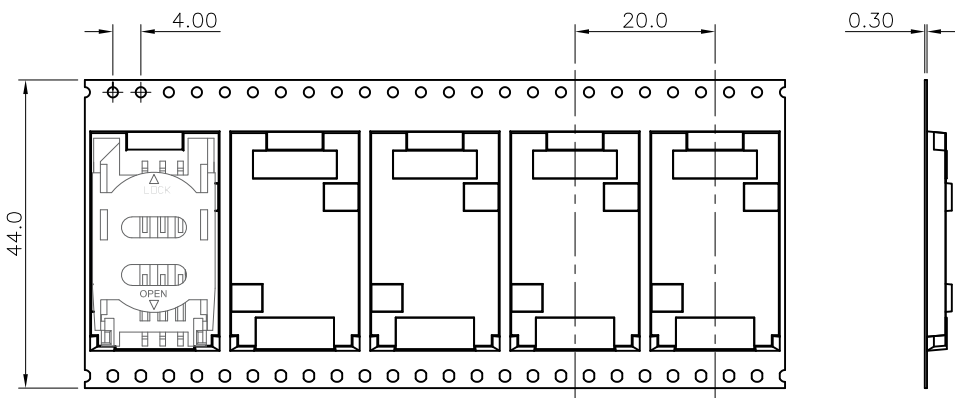
1. Current Rating: 1A
2. Voltage : 50V AC
3. Insulator Resistance: 1000M Ω Min.
4. Withstanding Voltage: 500V AC
5. Operating Temperature : -40°C ~ +85°C



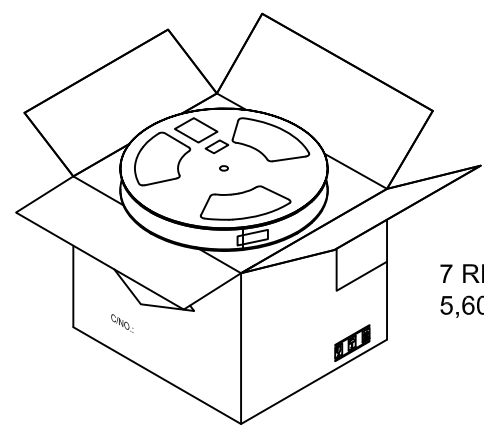
RECOMMENDED P.C.B LAYOUT
ALL TOLERANCE $\pm 0.05\text{mm}$

| 2. | CONTACT | Copper Alloy , Gold Plating on Contact Area |
|---|-----------|--|
| 1. | HOUSING | Hi-Temp Thermoplastic UL94v-0, Black |
| NO. | PART NAME | DESCRIPTION |
| DIMENSIONS : mm | | <p align="center">Chunxin Technology</p> NAME SIM Socket High Type, 6Pin w/o Post |
| TOLERANCES UNLESS OTHERWISE SPECIFIED : X. ± 0.30 X.X ± 0.20 X.XX ± 0.10 ANGLES $\pm 3^\circ$ | | |
| SCALE | 1 : 1 | DWN JACK WU 20090922 |
| SHEET | 1/2 | CHK PETER WANG 20090922 |
| SIZE | A4 | APVD SIMON LI 20090922 |
| CUSTOMER DRAWING | | PRODUCT No. CX1-SM6301-42 DRAWING No. CS-SIM004 |

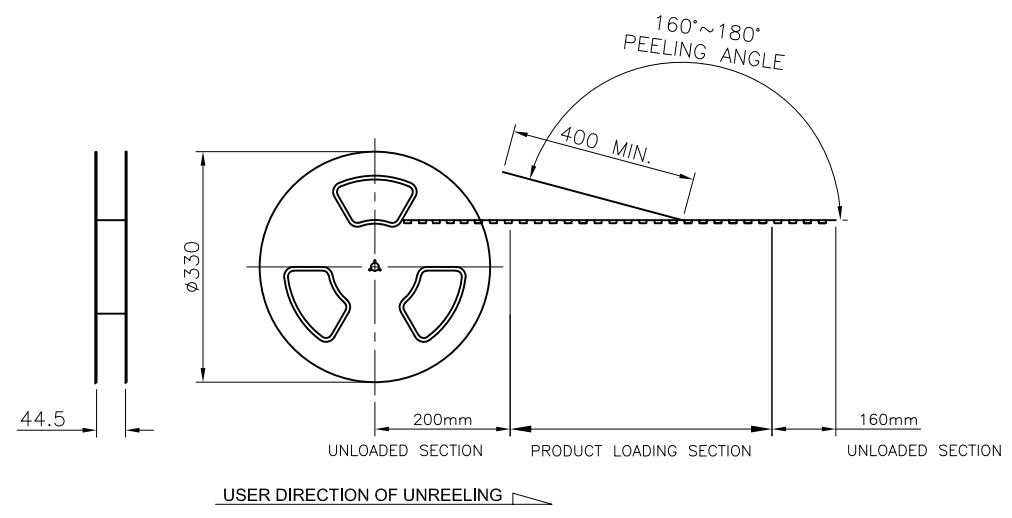
| | | | |
|---|-----------------|---------|------------|
| 1 | INITIAL RELEASE | JACK WU | 2009/09/22 |
| 2 | NEW FORM | JACK WU | 2020/05/01 |
| 3 | | | |



800PCS / REEL



7 REEL / CARTON
5,600PCS / CARTON



NOTES

- NUMBER OF CONNECTORS :
800 PCS / REEL ; 5,600 PCS / CARTON
- CARTON : 345mm x 345mm x380mm

| NO. | PART NAME | DESCRIPTION |
|---|-------------------------|---|
| DIMENSIONS : mm | | <p>Chunxin Technology</p> <p>NAME</p> <p>SIM Socket High Type, 6Pin w/o Post</p> <p>PRODUCT No. CX1-SM6301-42</p> <p>DRAWING No. CS-SIM004</p> |
| <p>TOLERANCES UNLESS OTHERWISE SPECIFIED :</p> <p>X. ± 0.30</p> <p>X.X ± 0.20</p> <p>X.XX ± 0.10</p> <p>ANGLES ± 3°</p> | | |
| SCALE | DWN JACK WU 20090922 | |
| SHEET | CHK PETER WANG 20090922 | |
| SIZE | APVD SIMON LI 20090922 | |
| CUSTOMER DRAWING | | |